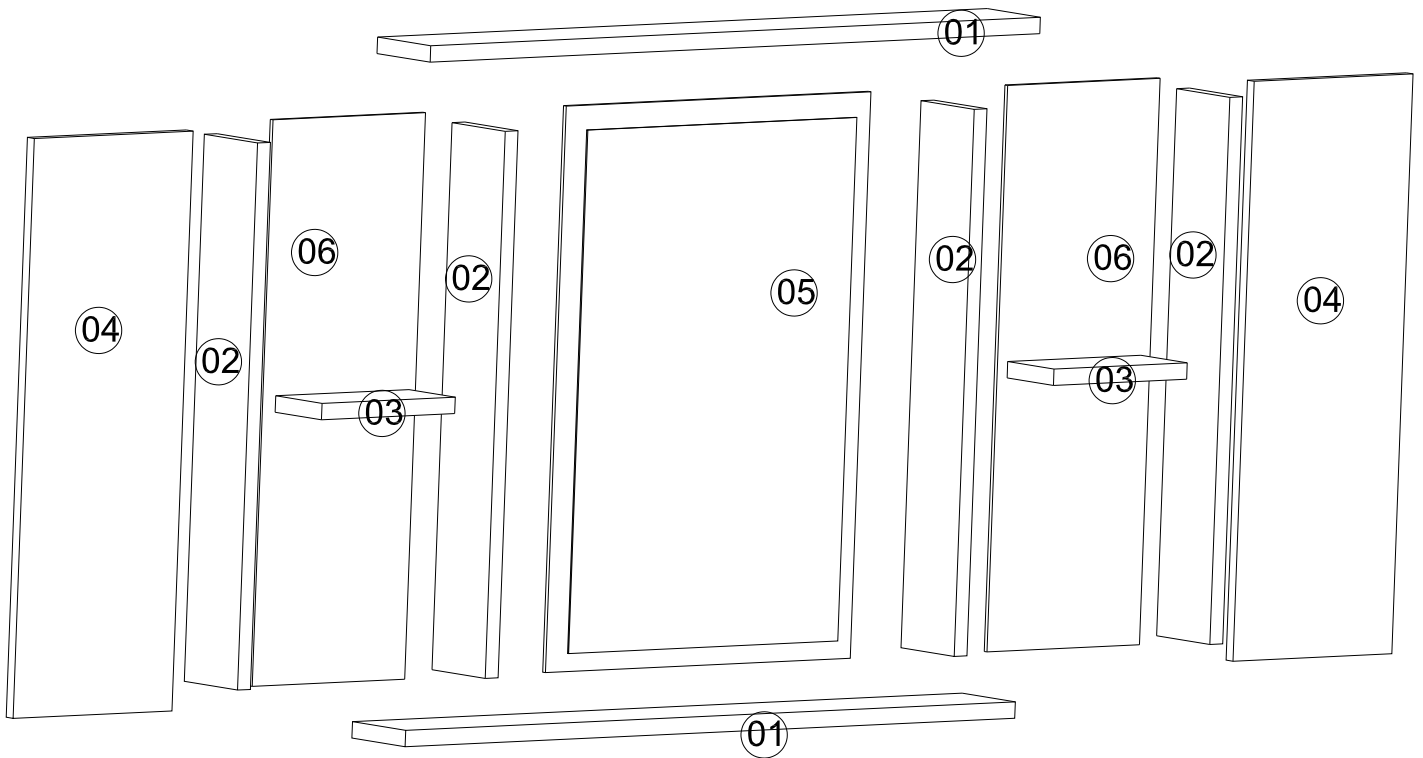


MIRROR BATHROOM CABINET ASSEMBLY

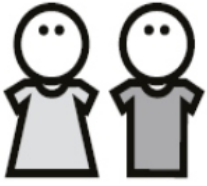
We're here to help - Do not return this product !

Call, email or find us online first !

- If you need help with assembly
- If you received a damaged or defective part
- If you are missing hardware



Read these assembly instructions carefully before beginning. Verify that you have in hands all the wood parts and hardware. Keep this document for future reference.



Two people are required to assemble and move this unit.



Safety First! Do not allow children to climb on or play with furniture.

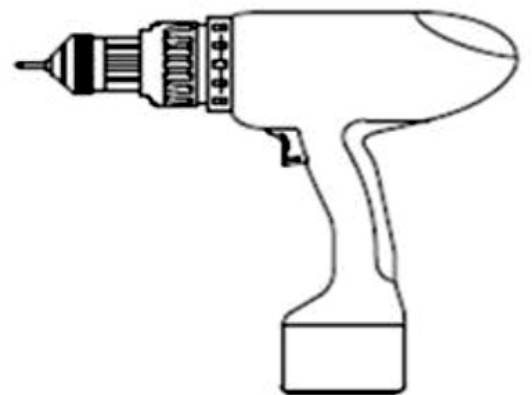
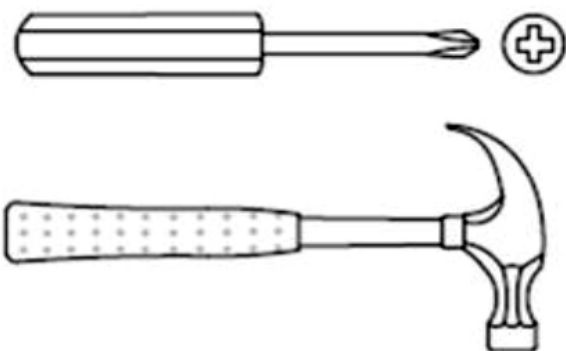
www.dow
Windows


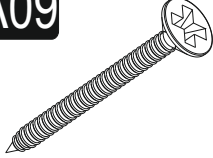
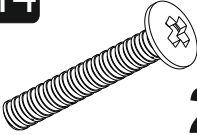

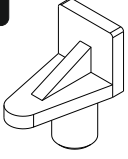

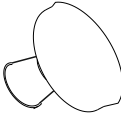
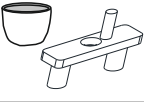
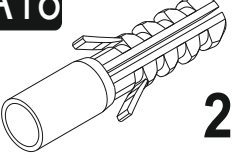


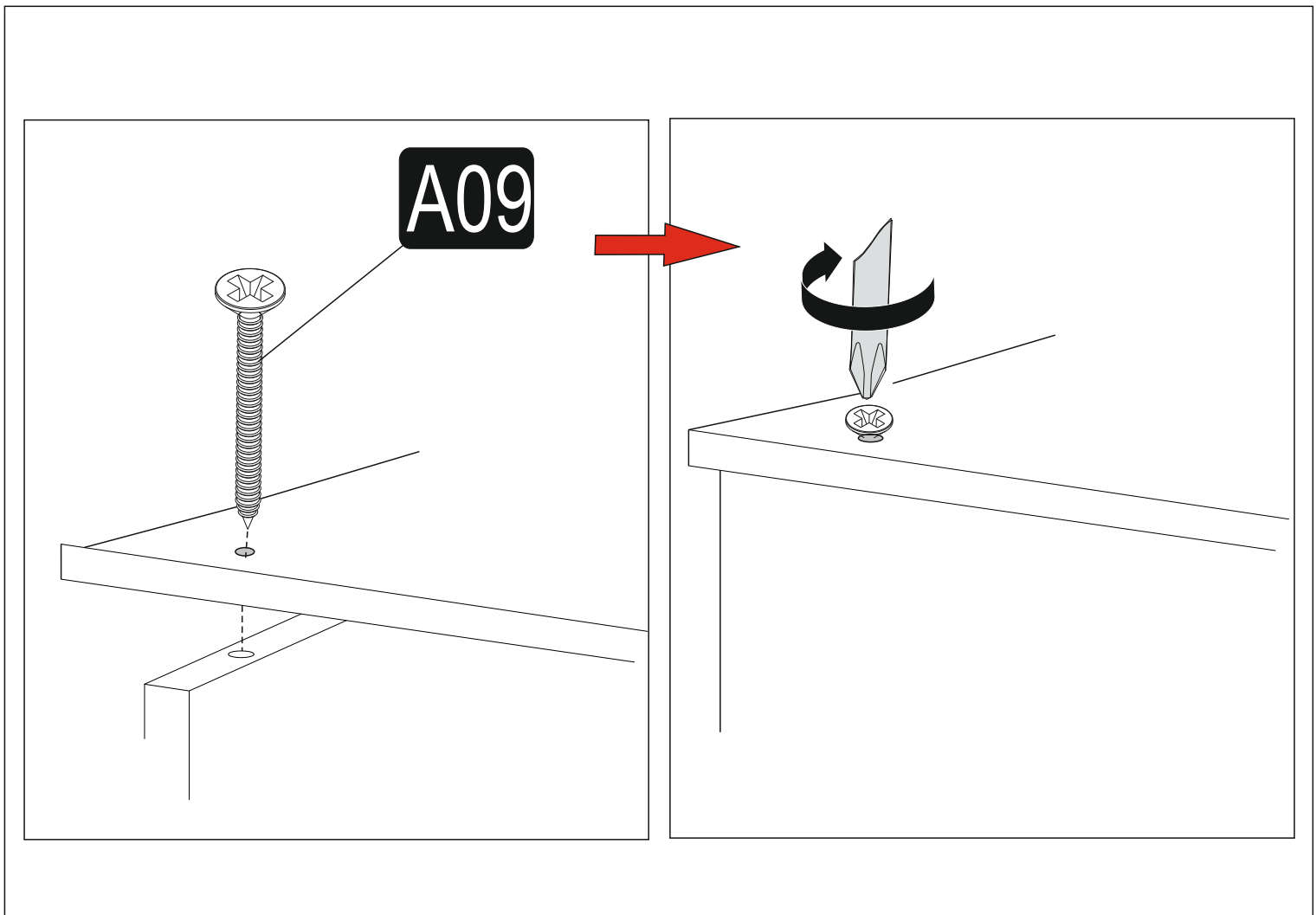
Never leave liquids or damp clothes on your furniture. Never use chemical product to clean your furniture. Do not place your furniture in direct sunlight.

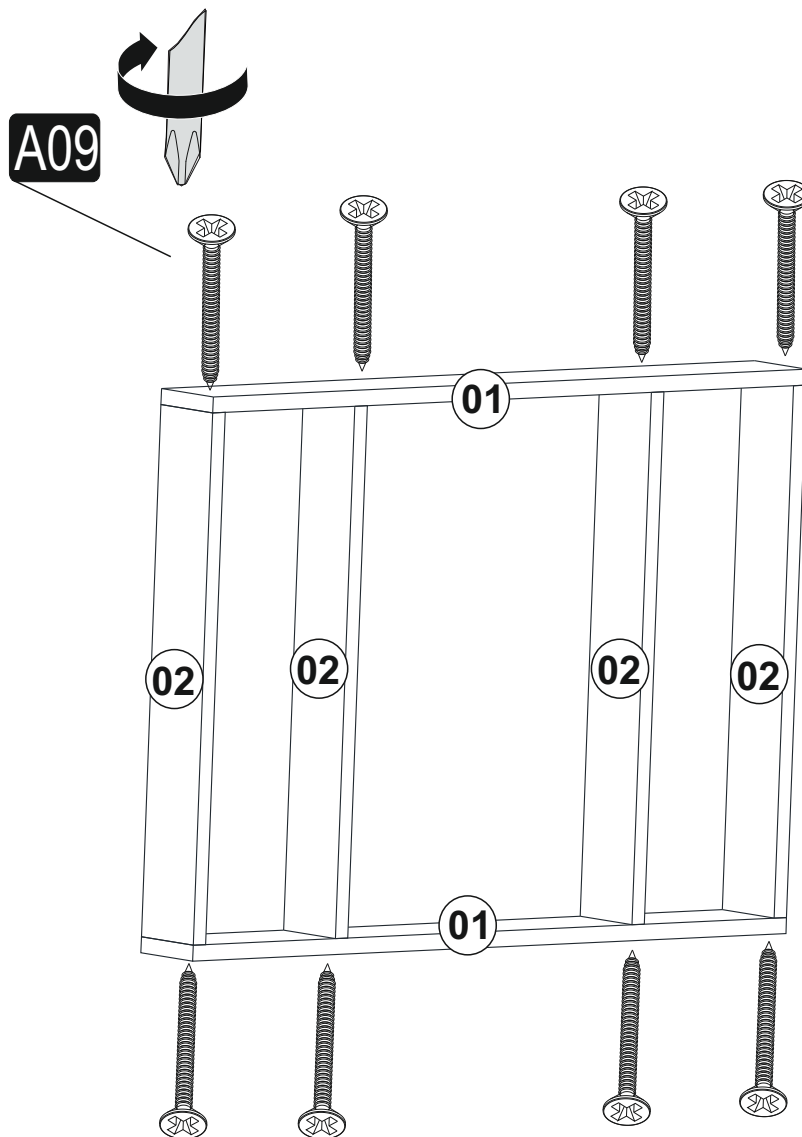
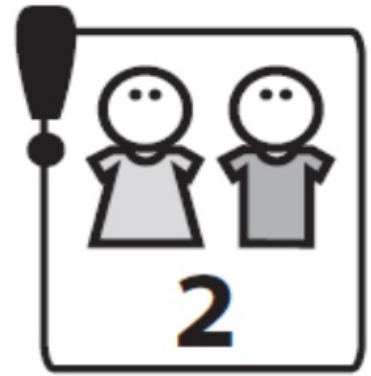
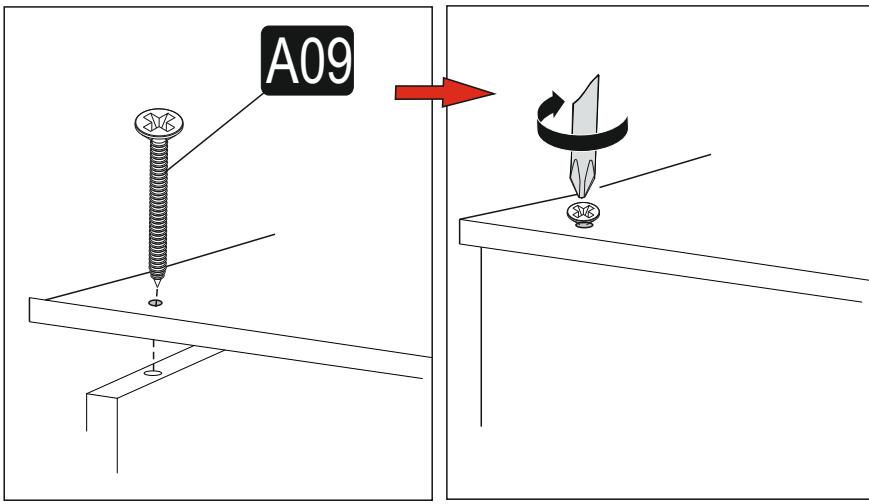
To clean your furniture, dampen a soft cloth with a mild solution of dishwashing liquid. Squeeze excess water. Clean unit and wipe it dry.

Tools required



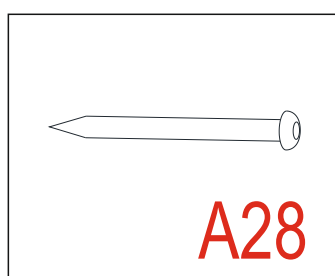
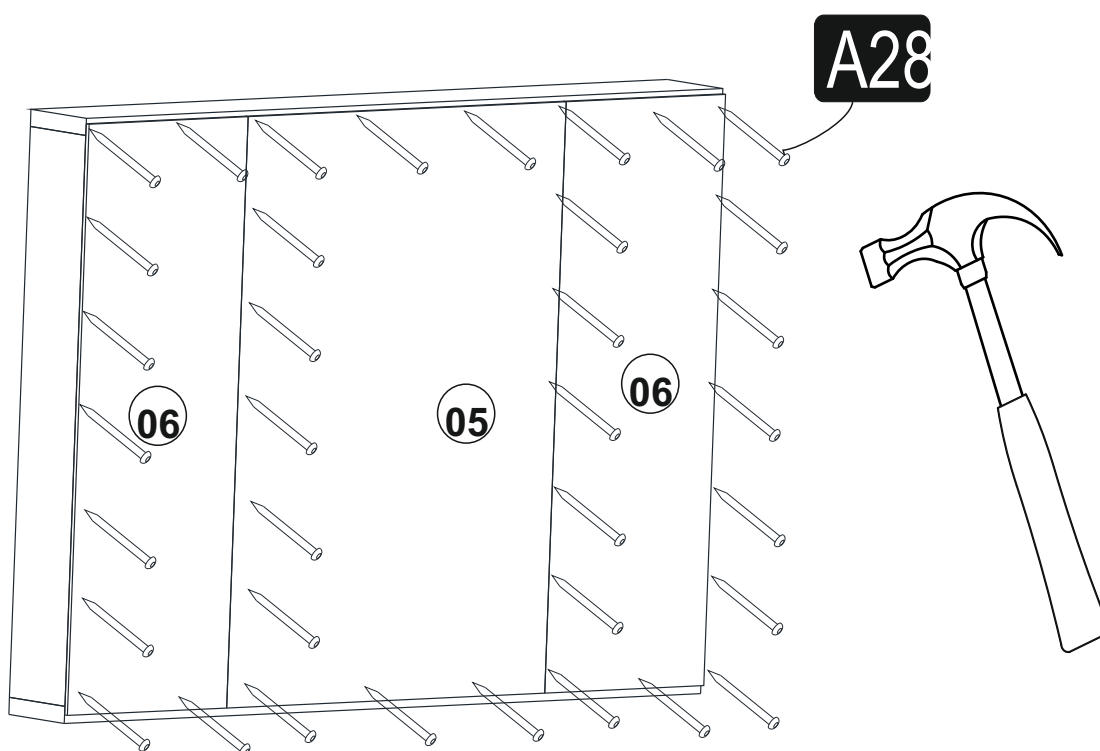
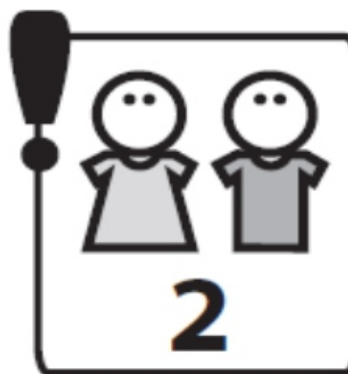
A10 3,5x18  4x	A09 4x50  10x	A14 M4x22  2x	A28  30x
A23  8x	A16  18x	A24  2x	A15  4x
A18  2x			



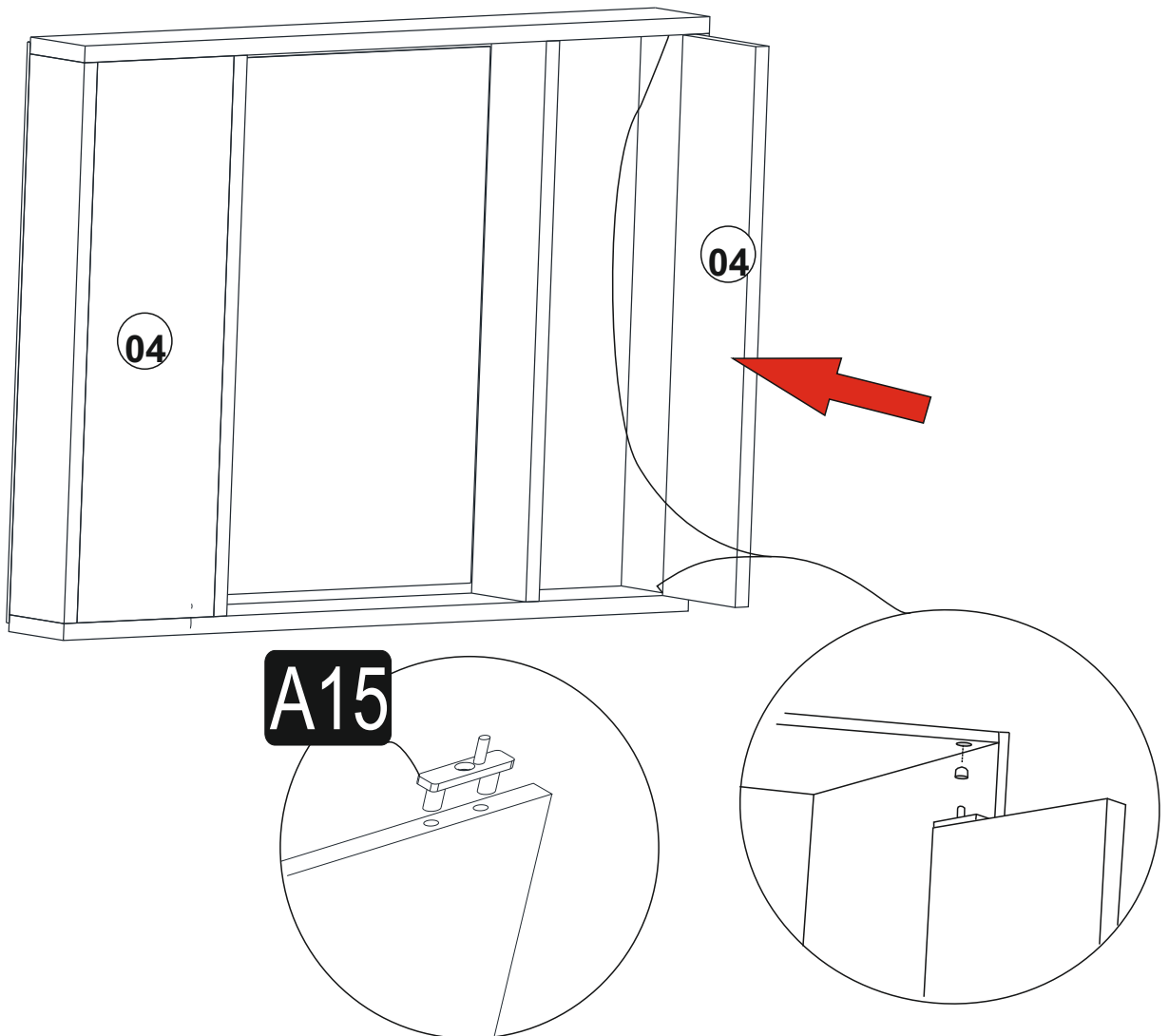
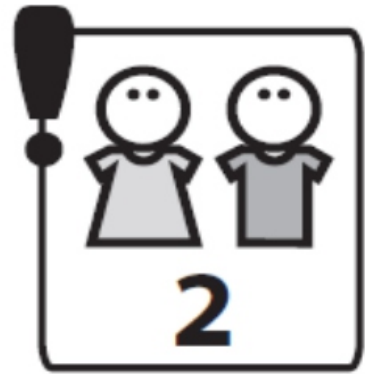


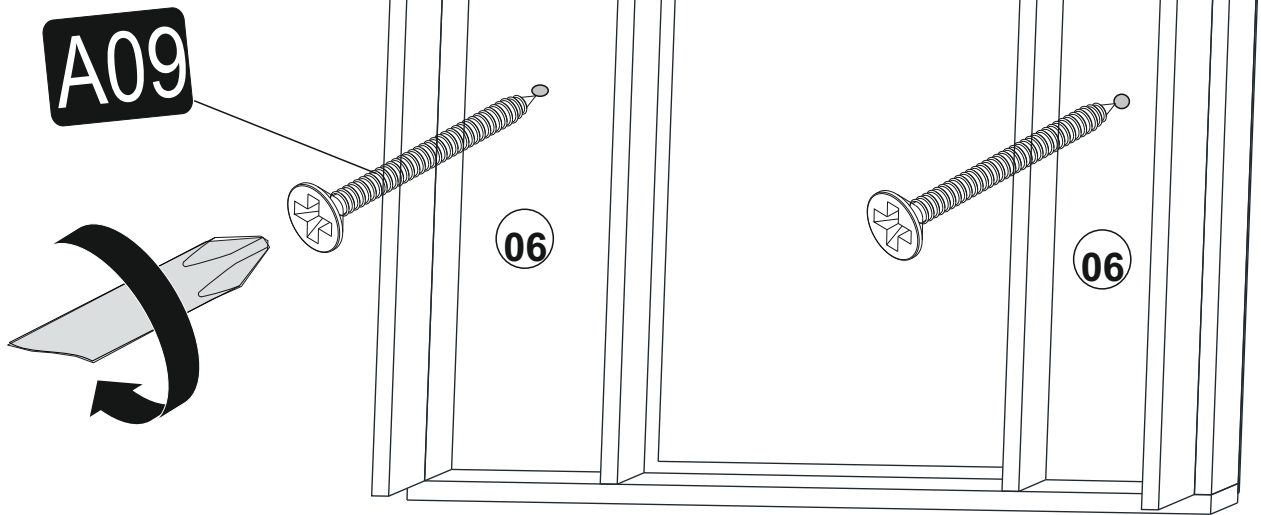
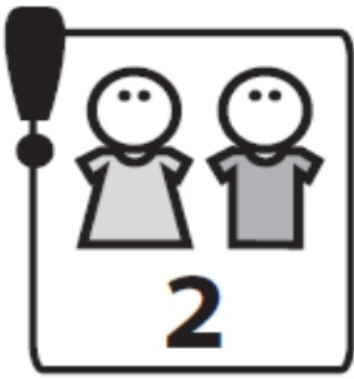
We connect parts number 1 to parts number 2

We attach the back panels and the mirror panel with nails

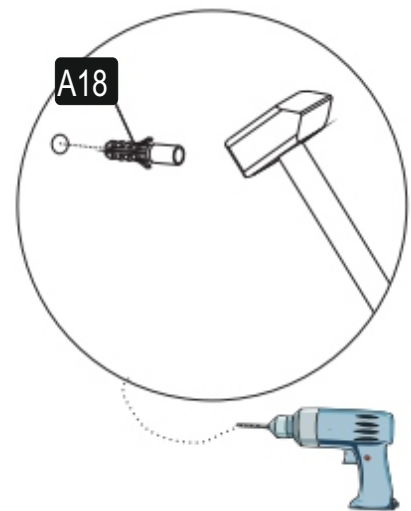
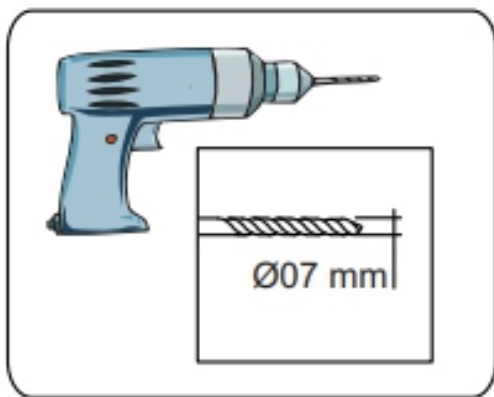


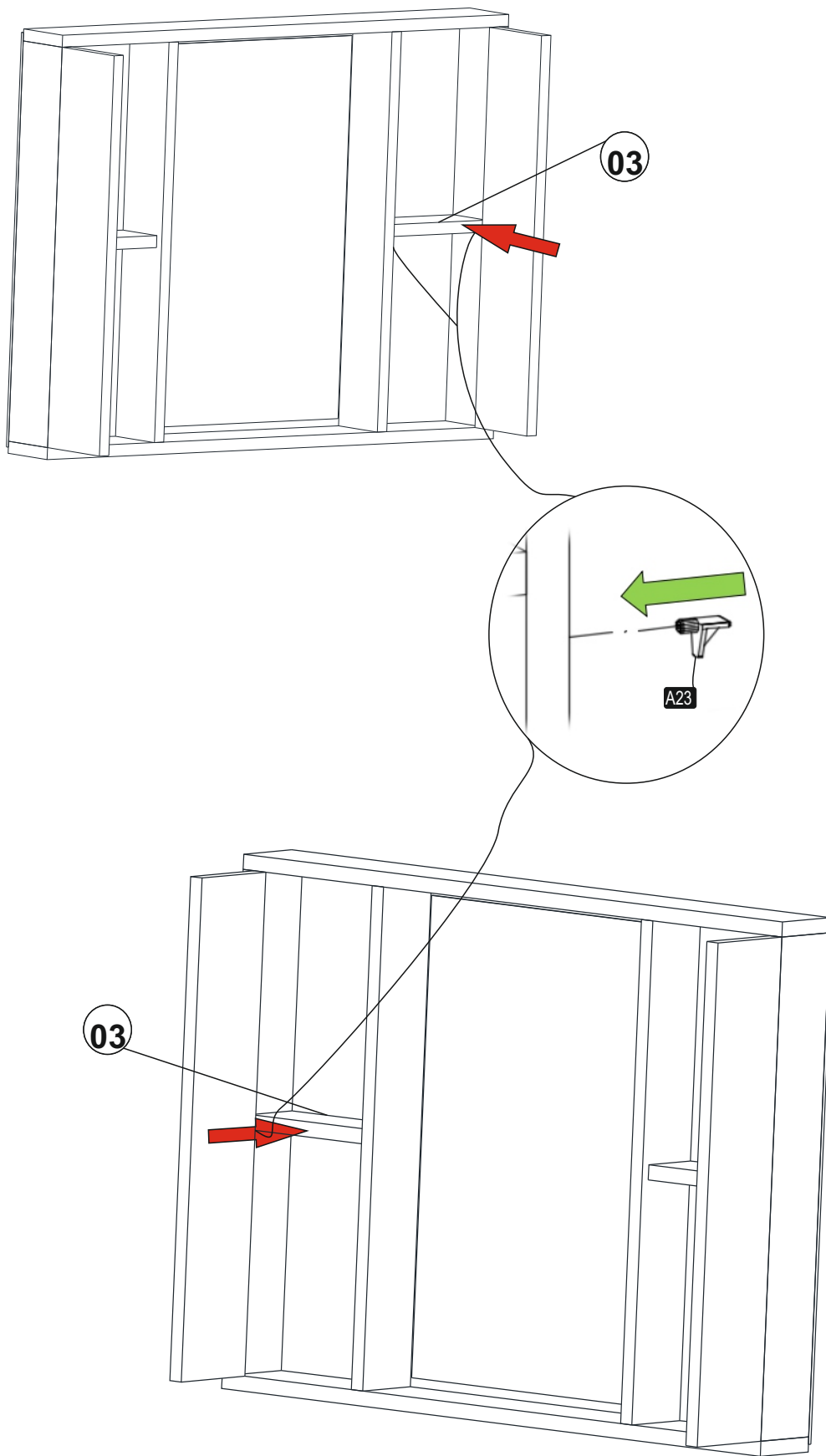
we put the covers back in place by attaching the plastic hinges





The product is fixed to the wall with screws by attaching wall plugs.





Shelves are put in place by inserting rack pins

