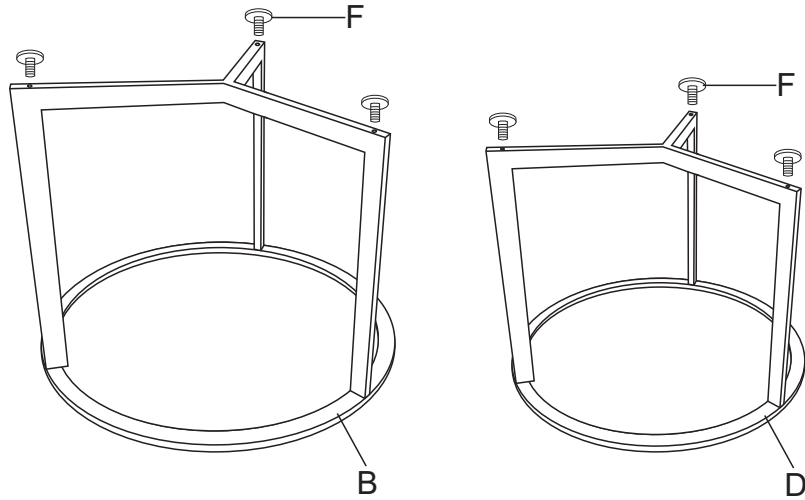
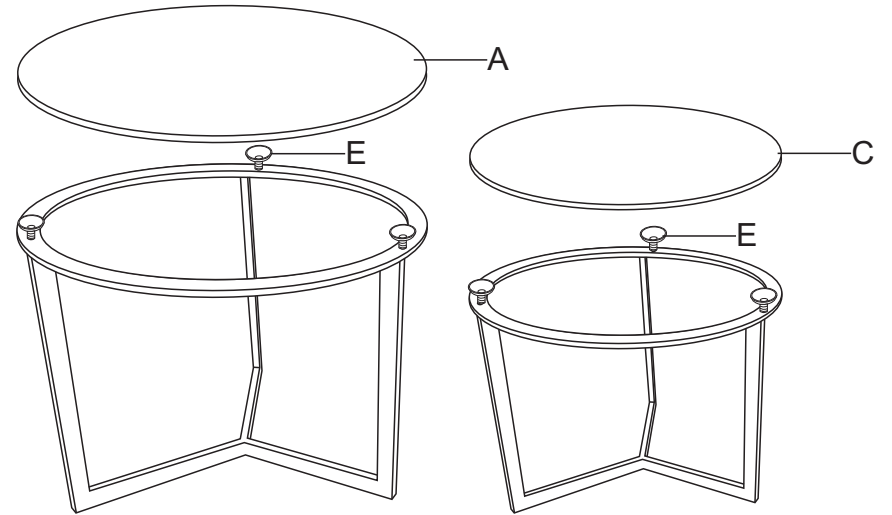


ASSEMBLY INSTRUCTION

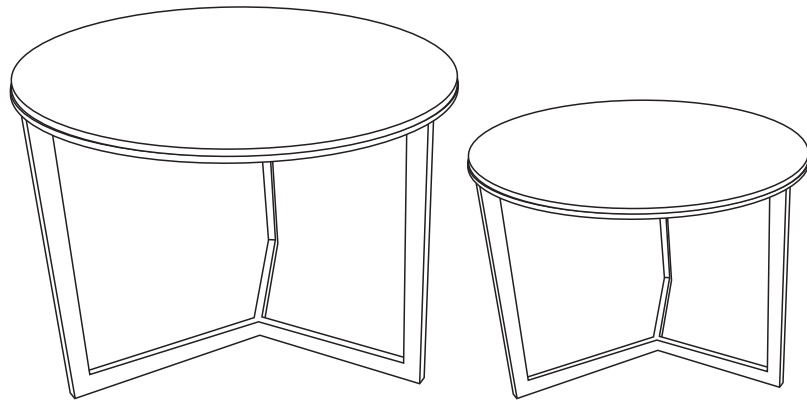
1.



2.



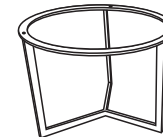
3.



Ax1



Bx1



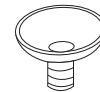
Cx1



Dx1



Ex6



Fx6

