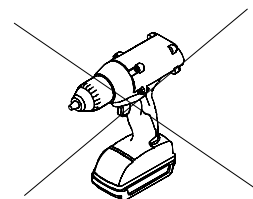
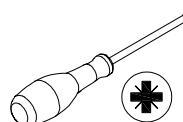
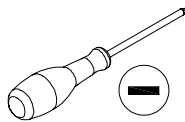
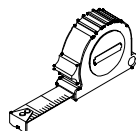
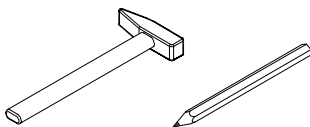
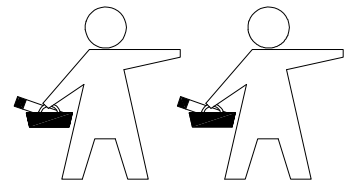
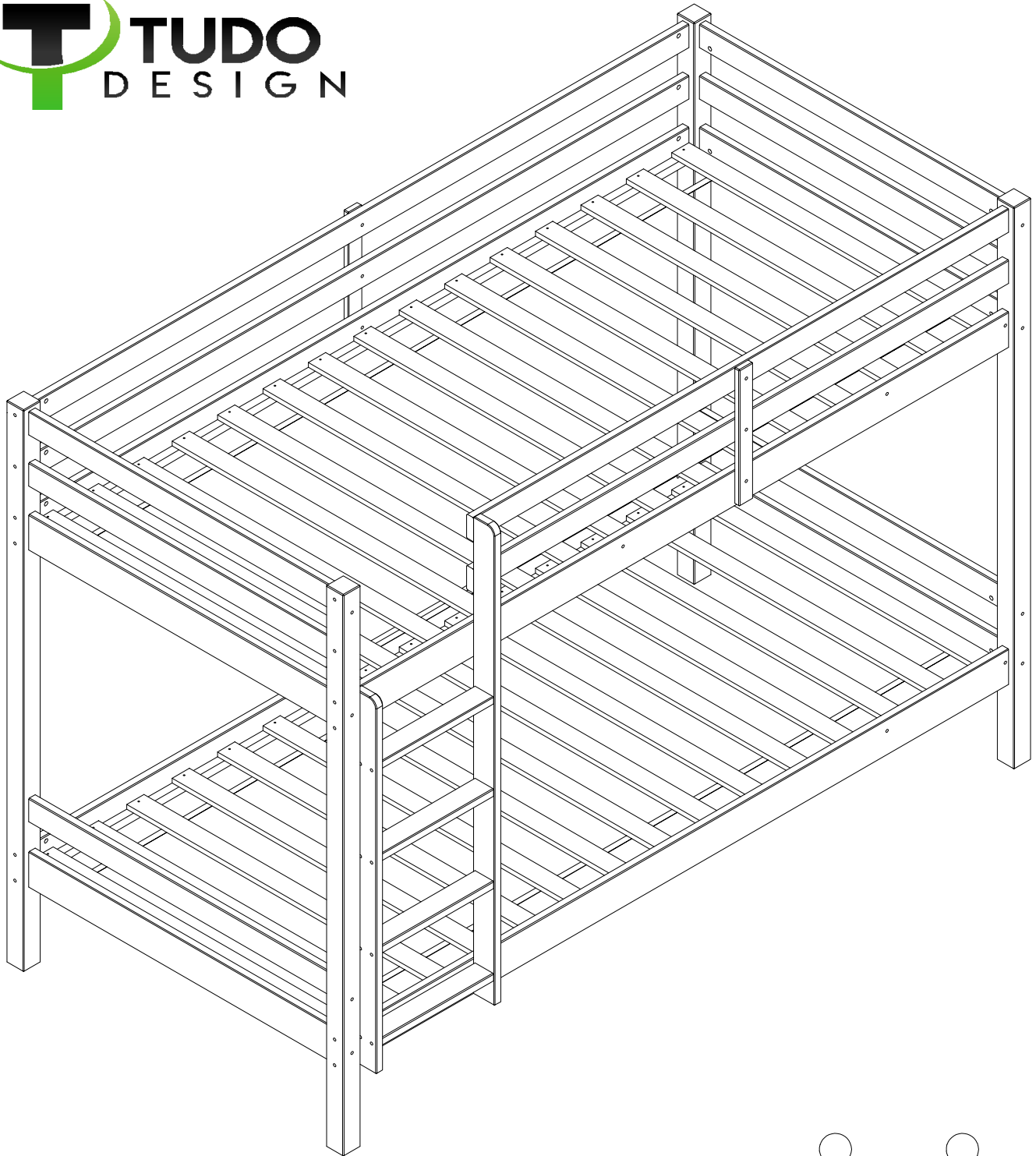
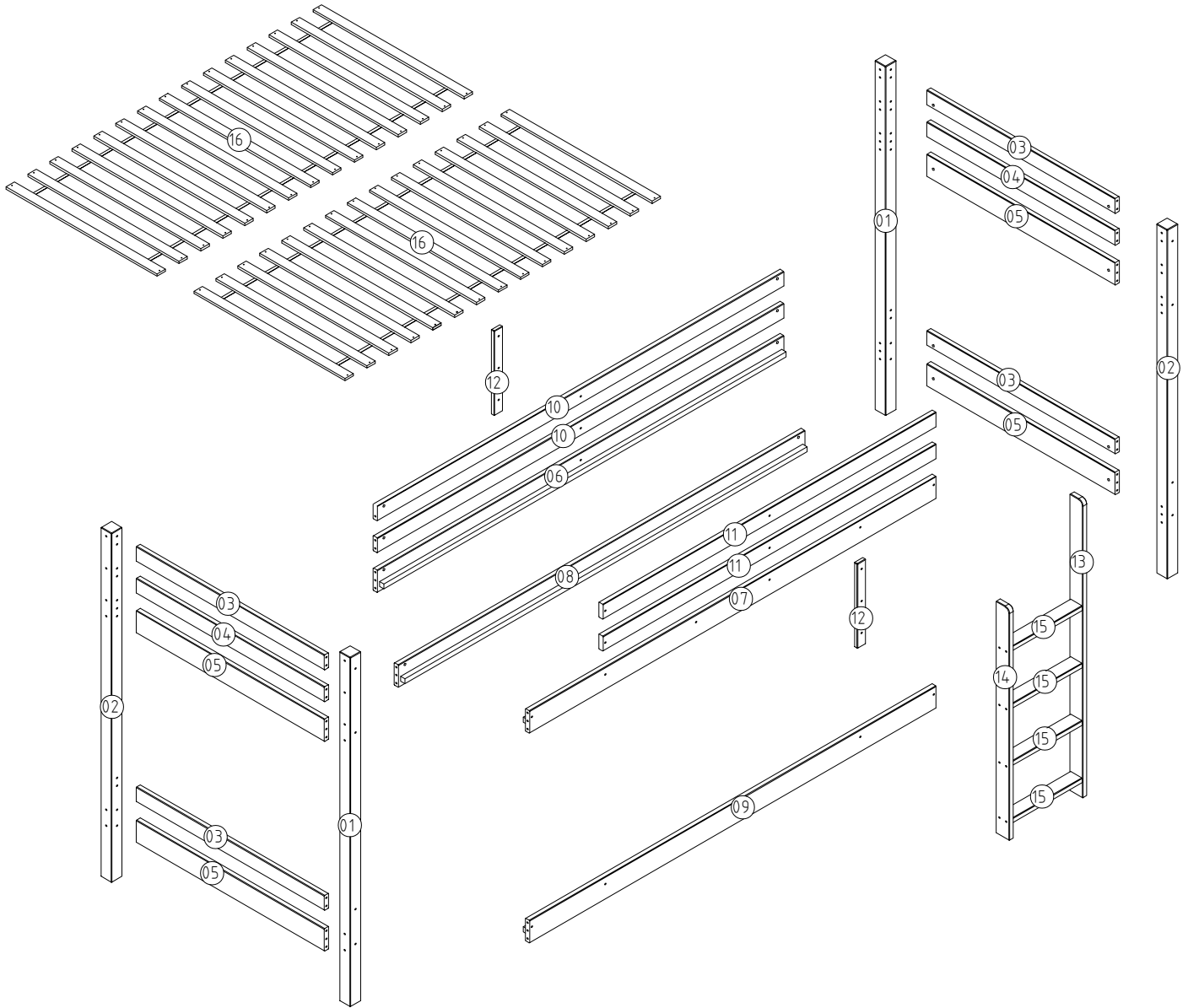








Assembly Instruction



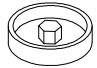
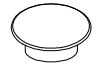
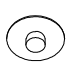


Parts List

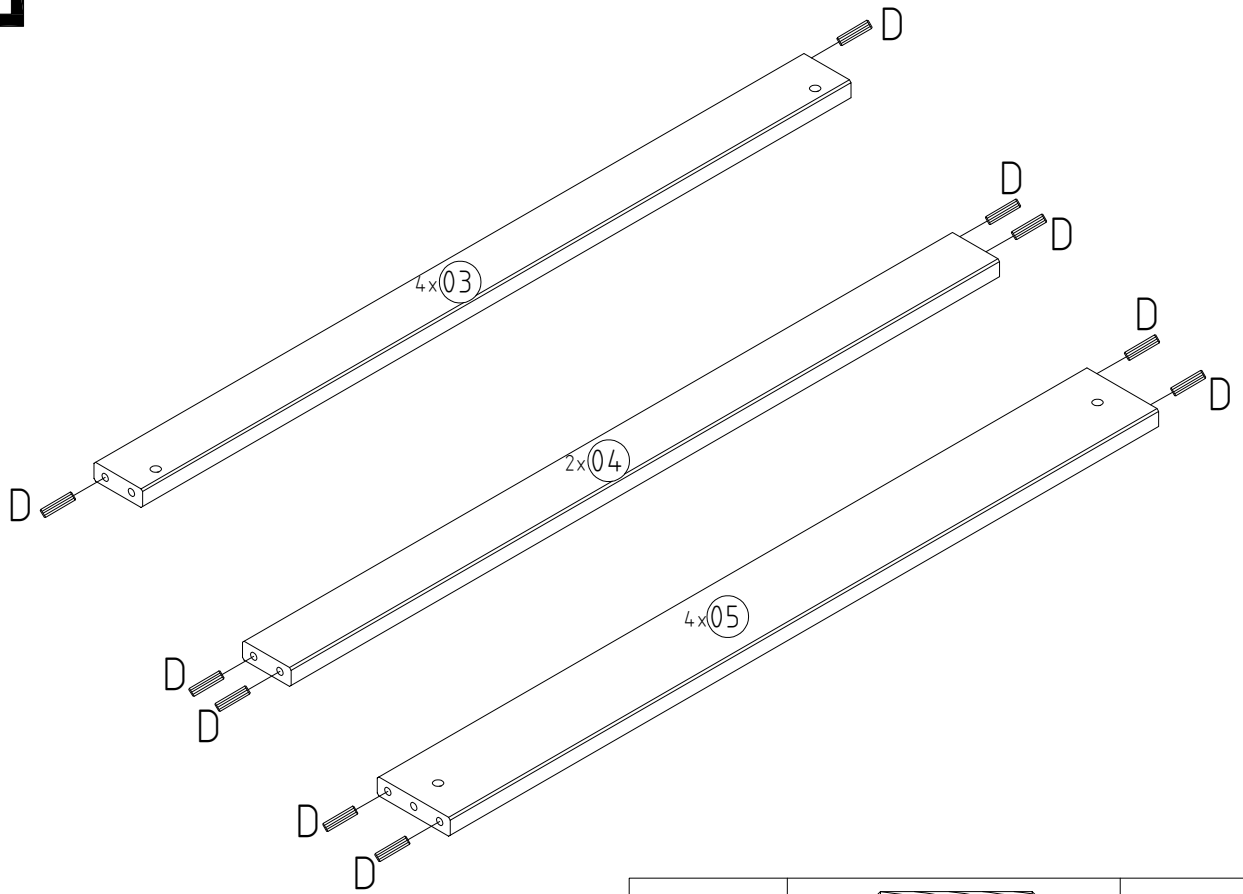


Hardware List

A	 M6x100mm	38
B	 M6x25mm	06
C	 M6	42
D	 Ø8x30mm	42
E	 15mm	06
F	 Ø7x50mm	22

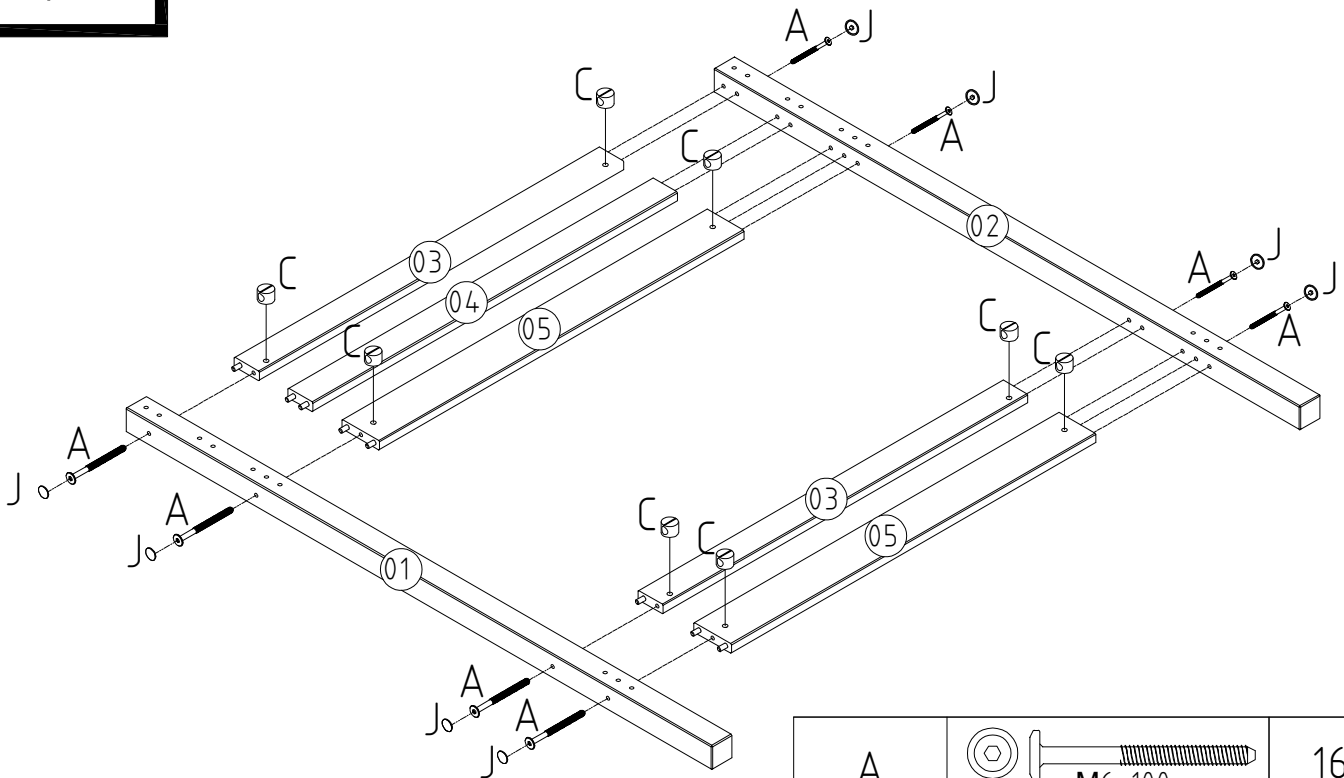
G	 Ø4x30mm	60
H	 Φ4mm	02
J	 Ø15	44
K	 Ø8	11
L	 Ø4	22

Step 1






D	 Ø8x30mm	32
---	--	----

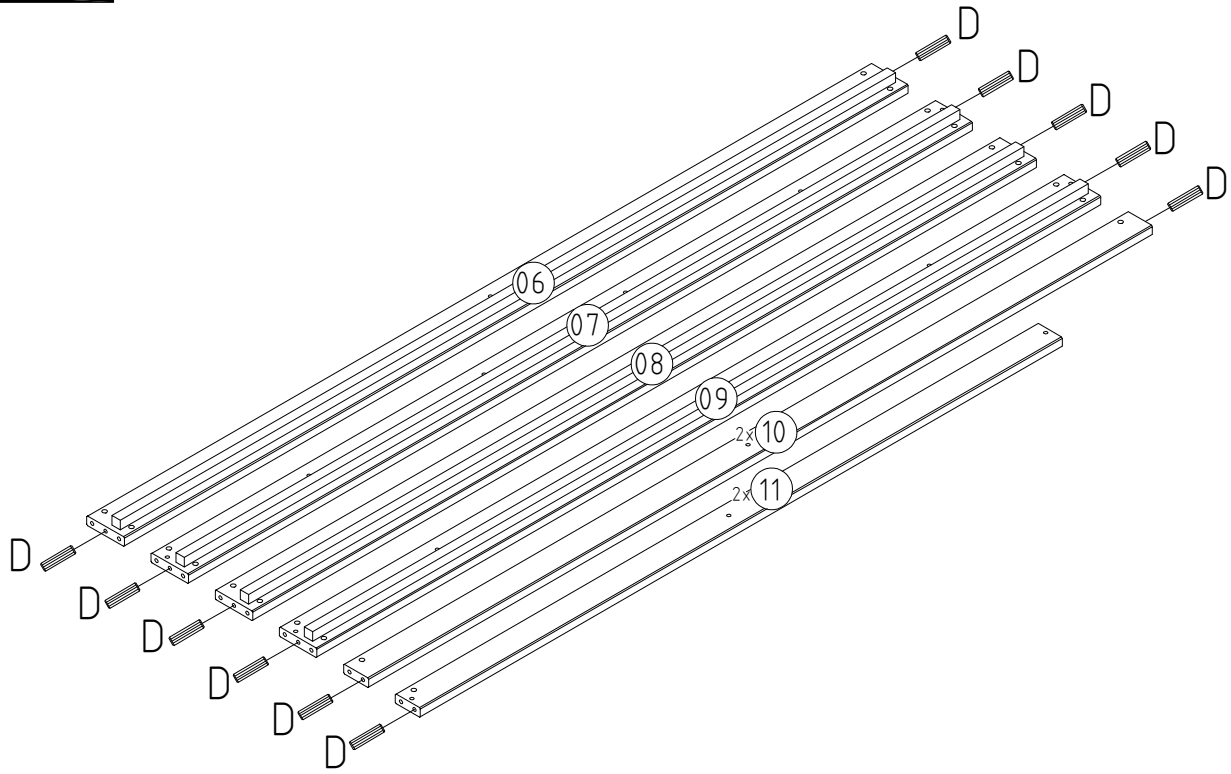
Step 2



x2

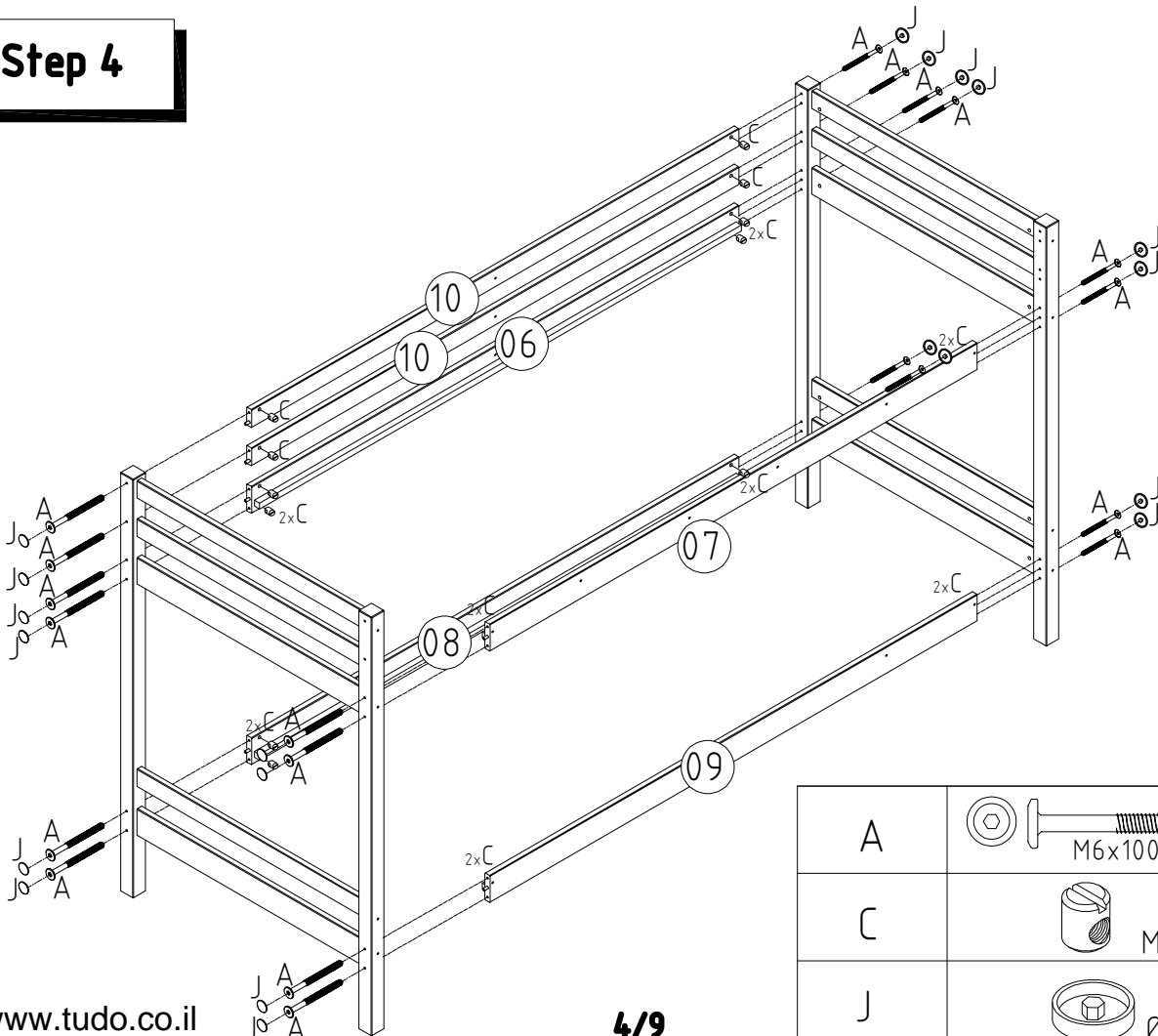
A	 M6x100mm	16
C	 M6	16
J	 Ø15	16

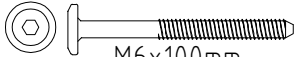

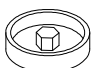
Step 3



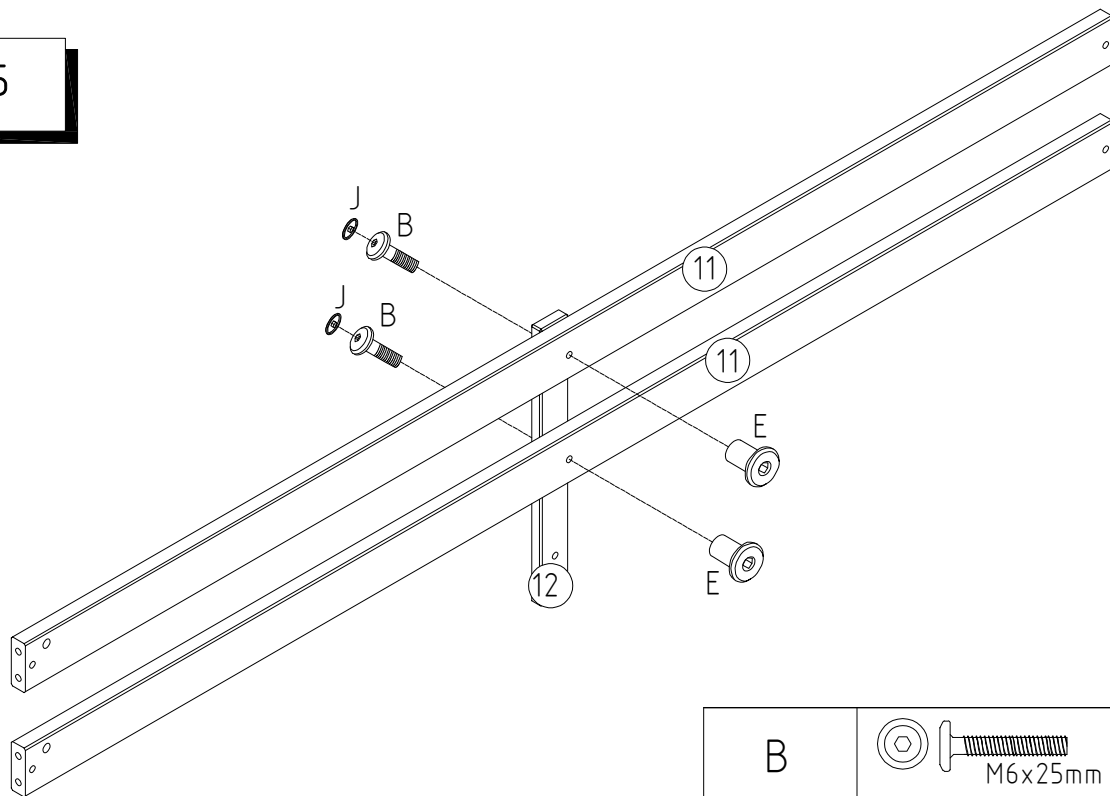
D	 Ø8x30mm	14
---	--	----

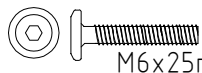
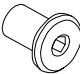

Step 4



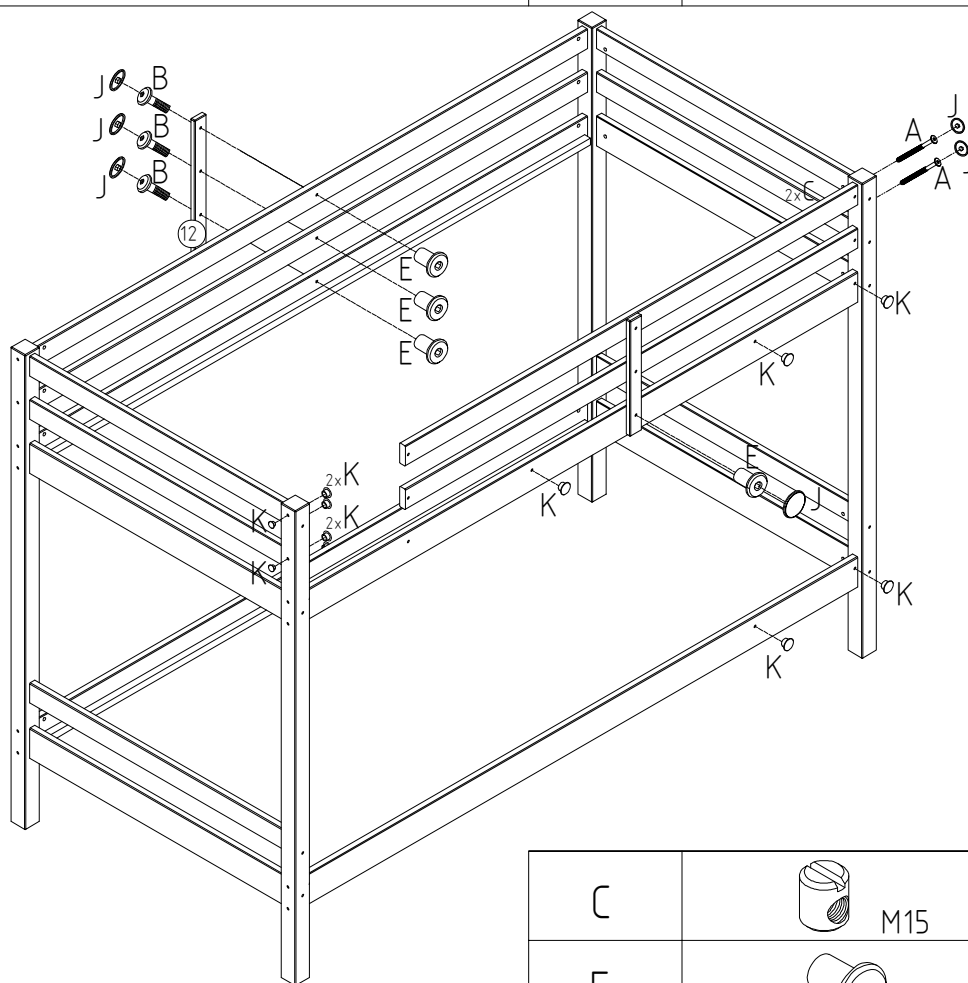
A	 M6x100mm	20
C	 M15	20
J	 Ø15	20



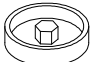

Step 5



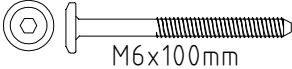
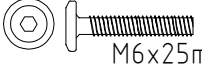
B	 M6x25mm	02
E		02
J	 Ø15	02

Step 6

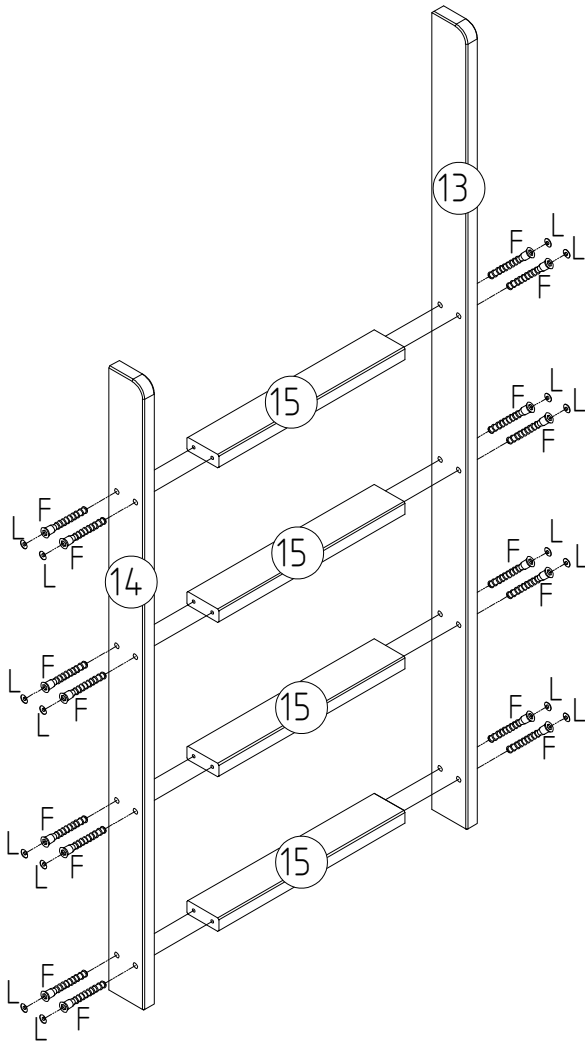


C	 M15	02
E		04
J	 Ø15	04
K	 Ø8	11

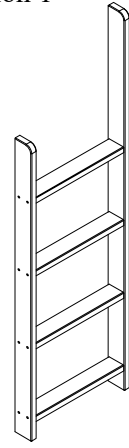
www.tudo.co.il



A	 M6x100mm	02
B	 M6x25mm	04

Step 7

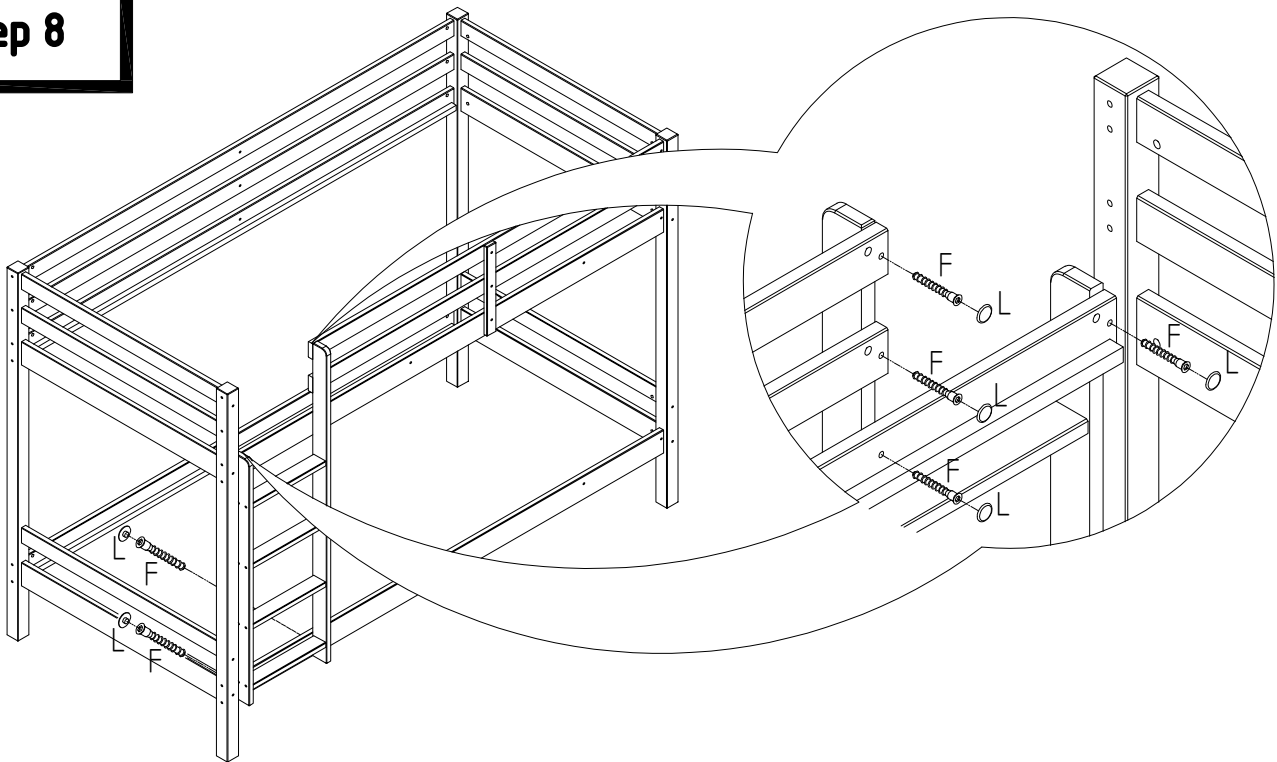


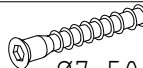

Option 1



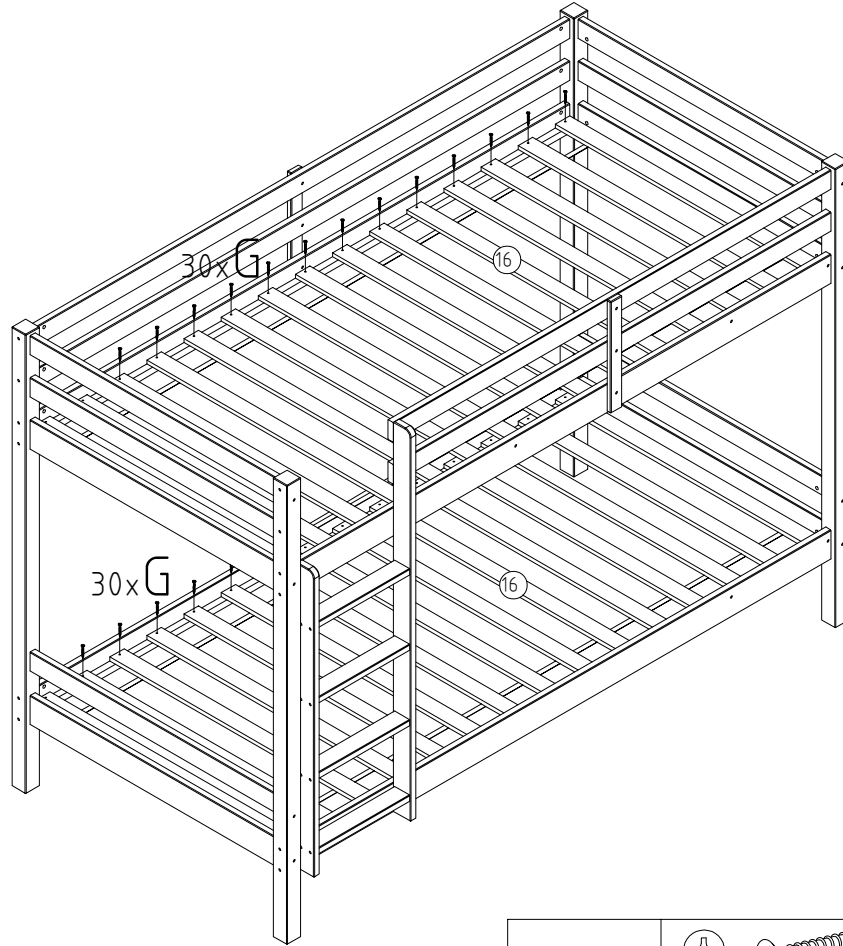
F	 Ø7x50mm	16
L	 Ø4	16



Step 8



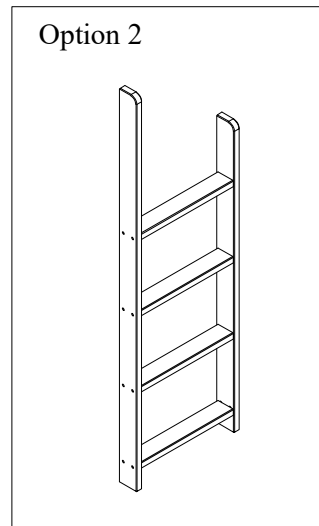
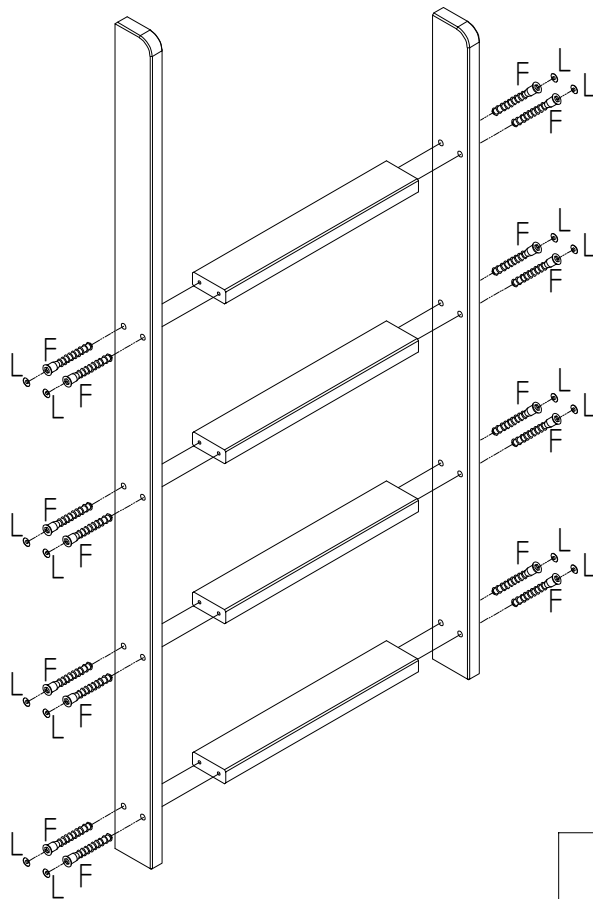
F	 Ø7x50mm	06
L	 Ø4	06

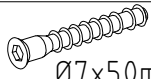

Step 9



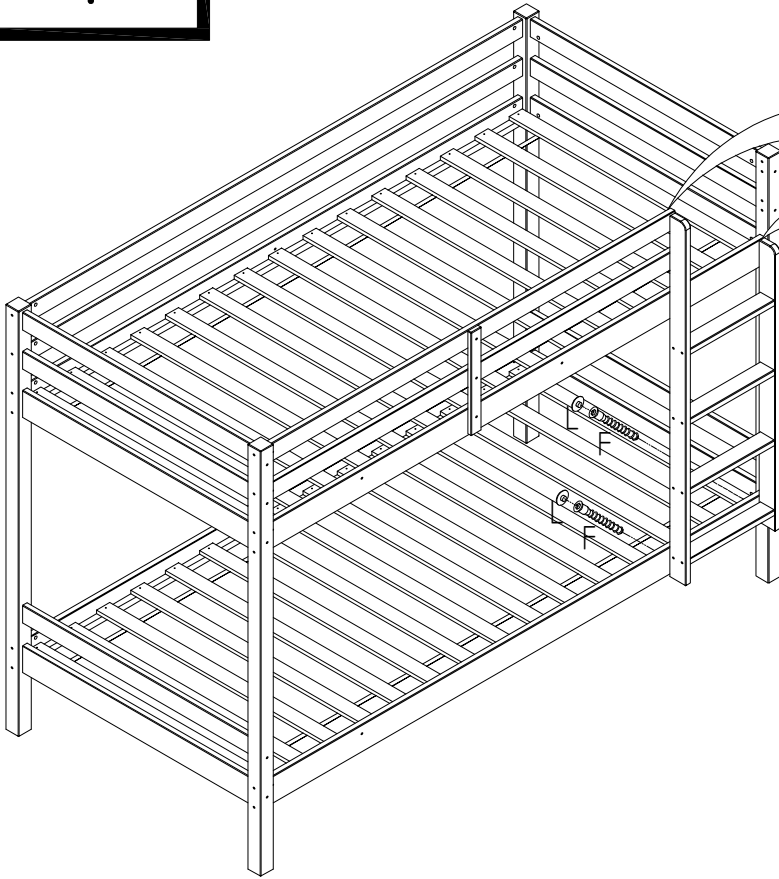
G	  Ø4x30mm	60
---	---	----

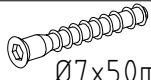

Step 10



F	 Ø7x50mm	16
L	 Ø4	16

Step 11



F	 Ø7x50mm	06
L	 Ø4	06

Option 1



Option 2



Instructions for use

IMPORTANT—READ CAREFULLY—KEEP FOR FUTURE REFERENCE

- a) WARNING "High beds and the upper bed of bunk beds are not suitable for children under six years due to the risk of injury from falls";
- b)WARNING "Bunk beds and high beds can present a serious risk of injury from strangulation if not used correctly.Never attach or hang items to any part of the bunk bed that are not designed to be used with the bed, for example, but not limited to ropes, strings, cords,hooks, belts and bags";
- c)WARNING "Children can become trapped between the bed and the wall, a roof pitch, the ceiling, adjoining pieces of furniture(e.g. cupboards) and the like. To avoid risk of serious injury the distance between the top safety barrier and the adjoining structuer shall not exceed 75mm or shall be more than 230mm."
- d)WARNING Do not use the upper bunk bed or a raised bed if a part of the structure is missing or broken. Spare parts should be requested from the manufacture or shop.
- e) It is essential that the manufacture's instruction on assembly and used are followed.
- f) The recommended size of the mattress to be used with the bed is 1900mm x 800mm, **Maxinum mattress thickness:150mm;**
- g) Mattess must be aired to maintain a low humidity and to stop moisture building up in the bed and its surroundings.
- k) The fastening put in place on assembly should be properly tightened and regularly checked. Retighten the fastenings as necessary.
- i) This complies with the requirements of the European Safety Standard EN747-1&2:2012+A1:2015;
- m) The presence of a night light could give more safety for a child sleeping in an upper bed.

ASSEMBLY ADVICE:

- 1> CAREFULLY READ THE ASSEMBLY INSTRUCTION.
- 2> IDENTIFY THE COMPONENTS OF THE FURNITURE.
- 3> GROUP AND CHECK THE HARDWARE.
- 4> USE THE REQUIRED TOOLS.
- 5> CREATE AN ASSEMBLY ZONE.
- 6> MAKE THE ASSEMBLY.



NEVER FORCE THE CONNECTIONS.
RE-TIGHTEN THE SCREWS AFTER FEW DAYS.
PLEASE RETAIN THE AI LEAFLET FOR FUTURE REFERENCE,
THE AI CONTAINS INFORMATION WHEN CLAIMING
FOR MISSING PARTS.

CLEANING ADVICE:

- 1> CAREFULLY REMOVE THE DUST.
- 2> USE A SOFT, CLEAN DAMP CLOTH WITH SOAPY WATER.



NEVER USE ABRASIVE PRODUCTS
OR SOLVENTS.
DO NOT APPLY EXCESSIVE PRESSURE
WHEN USING THE DAMP CLOTH.