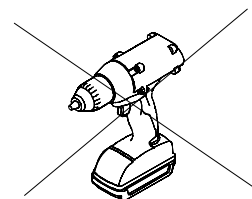
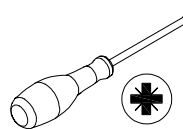
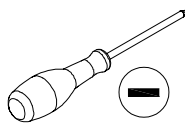
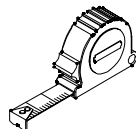
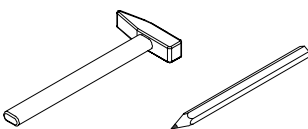
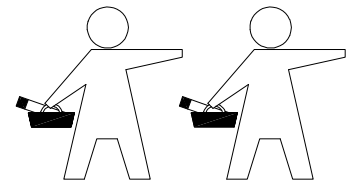
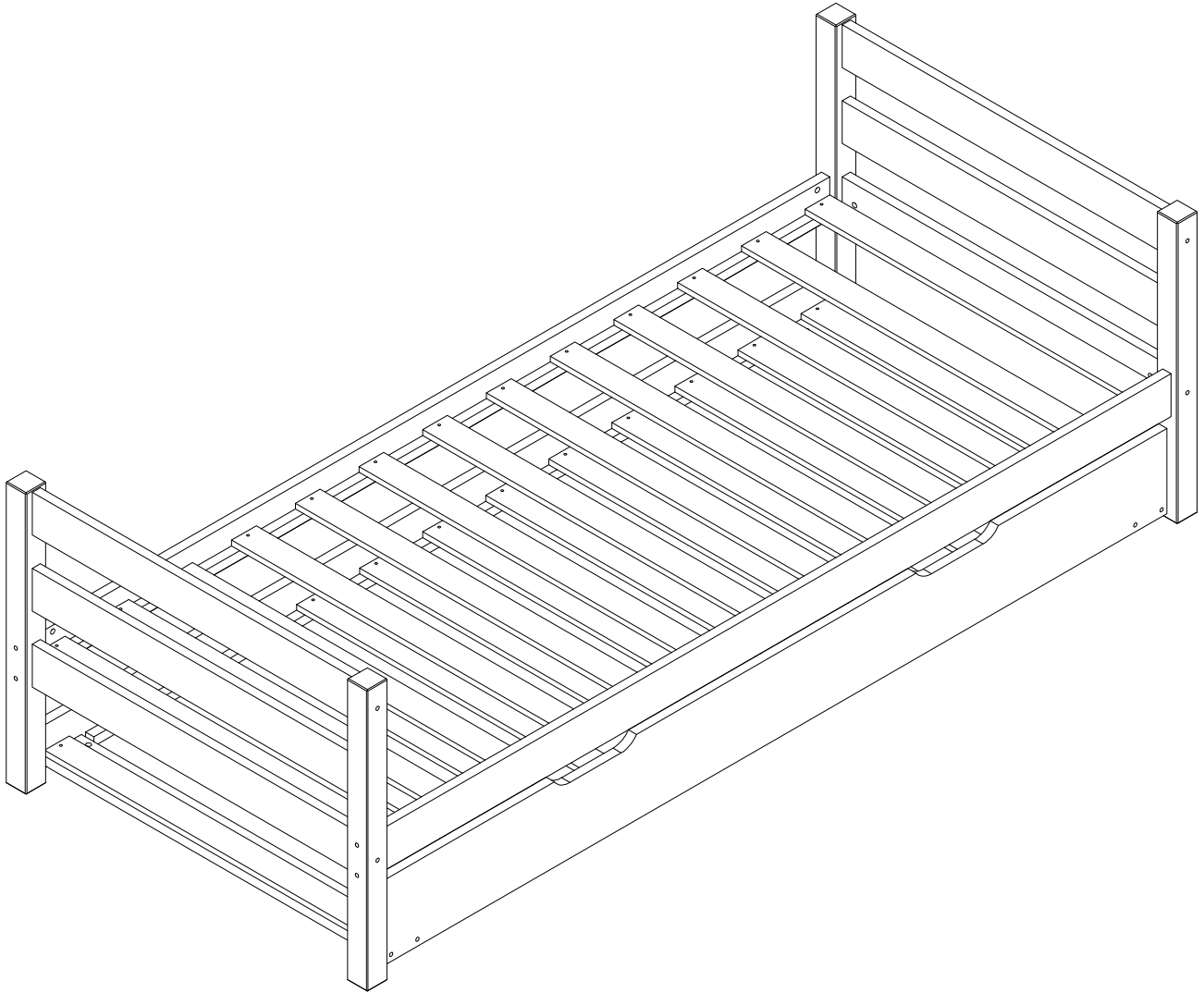
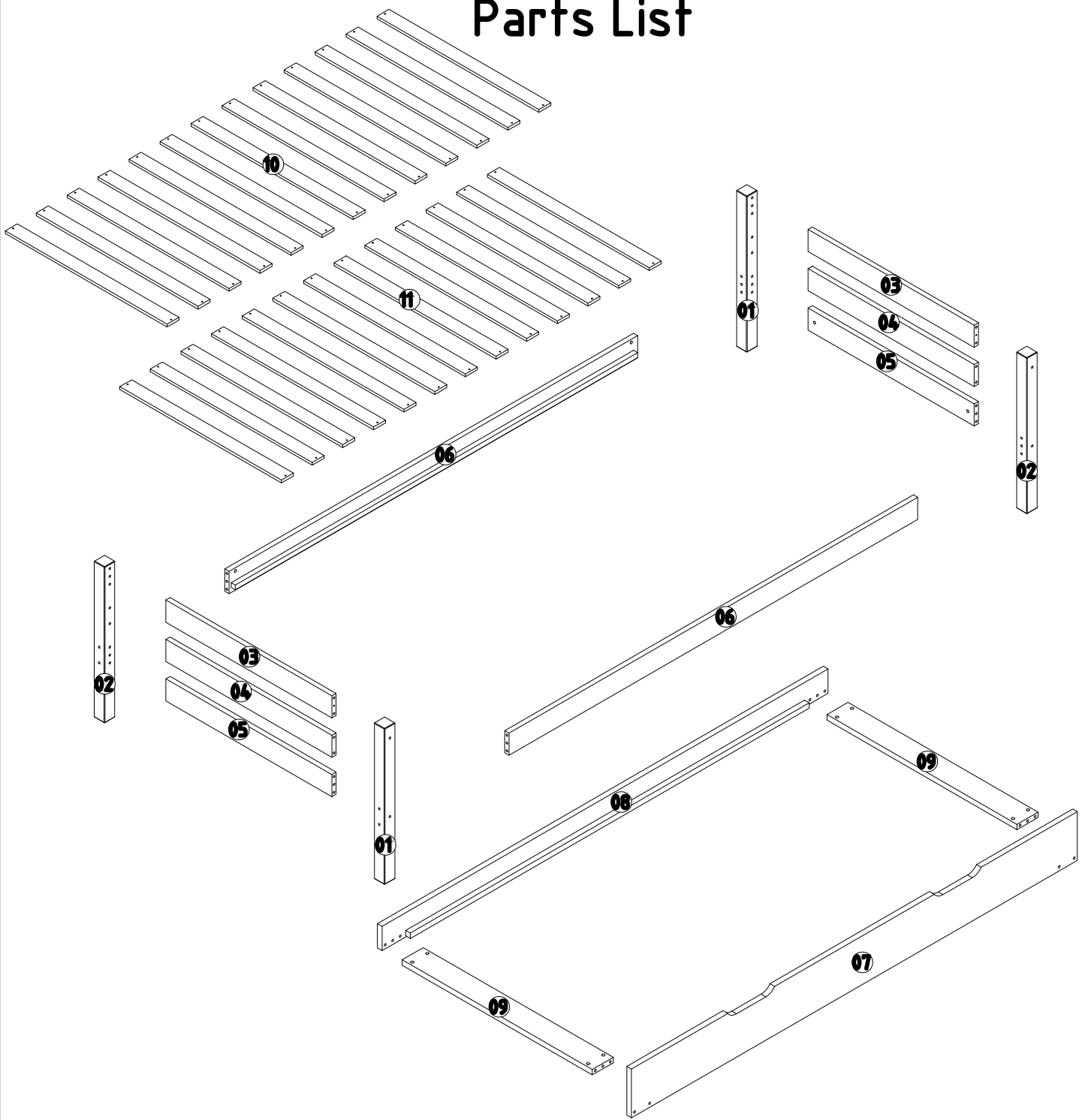





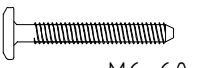




# Assembly Instruction

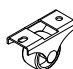

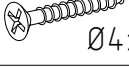



# Parts List

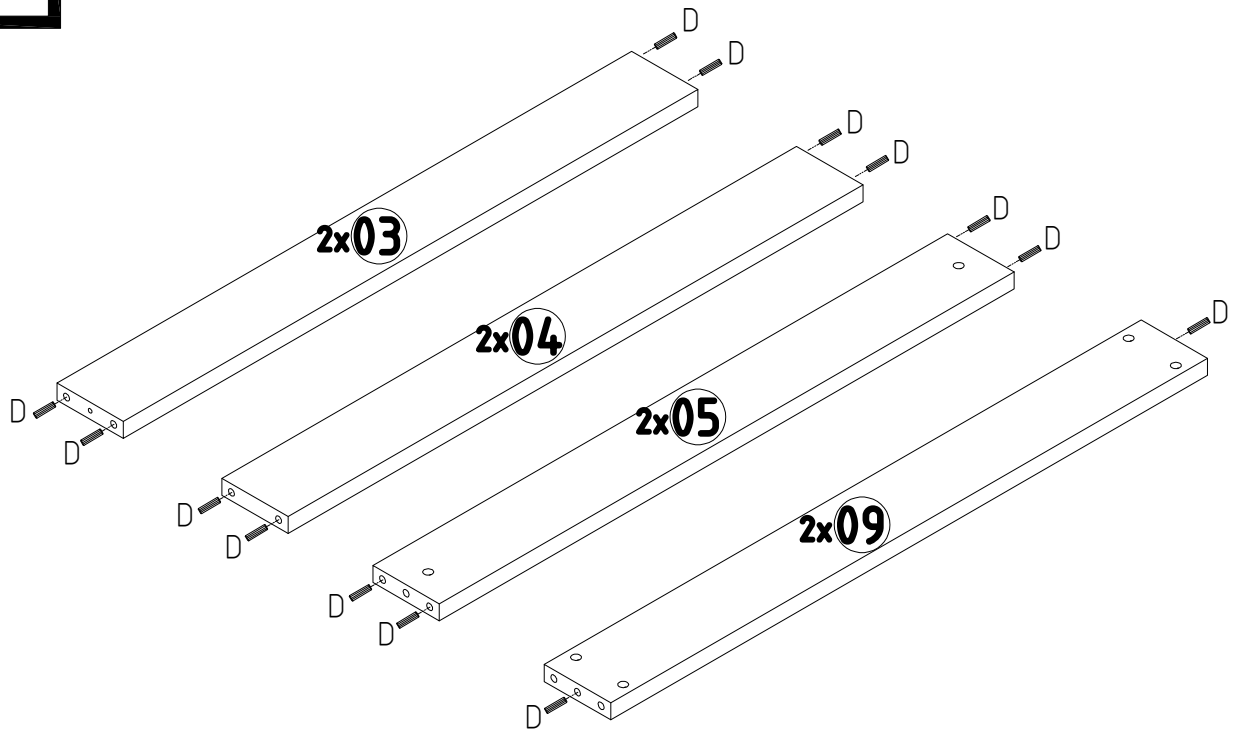


# Hardware List

A	  M6x90mm	12
B	  M6x60mm	08
C	 M6x13mm	20
D	 Ø8x30mm	32
E	  Ø6x90mm	04

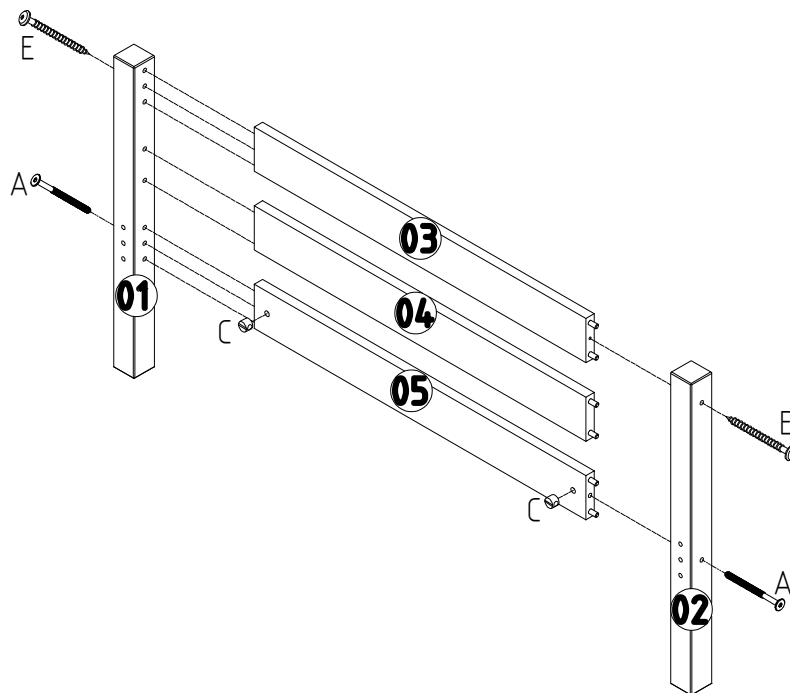
F	 D26mm	04
G	 Ø3.5x16mm	08
H	 Ø4x30mm	52
J	 Ø4	01

# Step 1

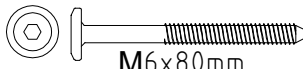

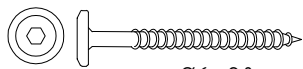


D	 Ø8x30mm	28
---	--	----

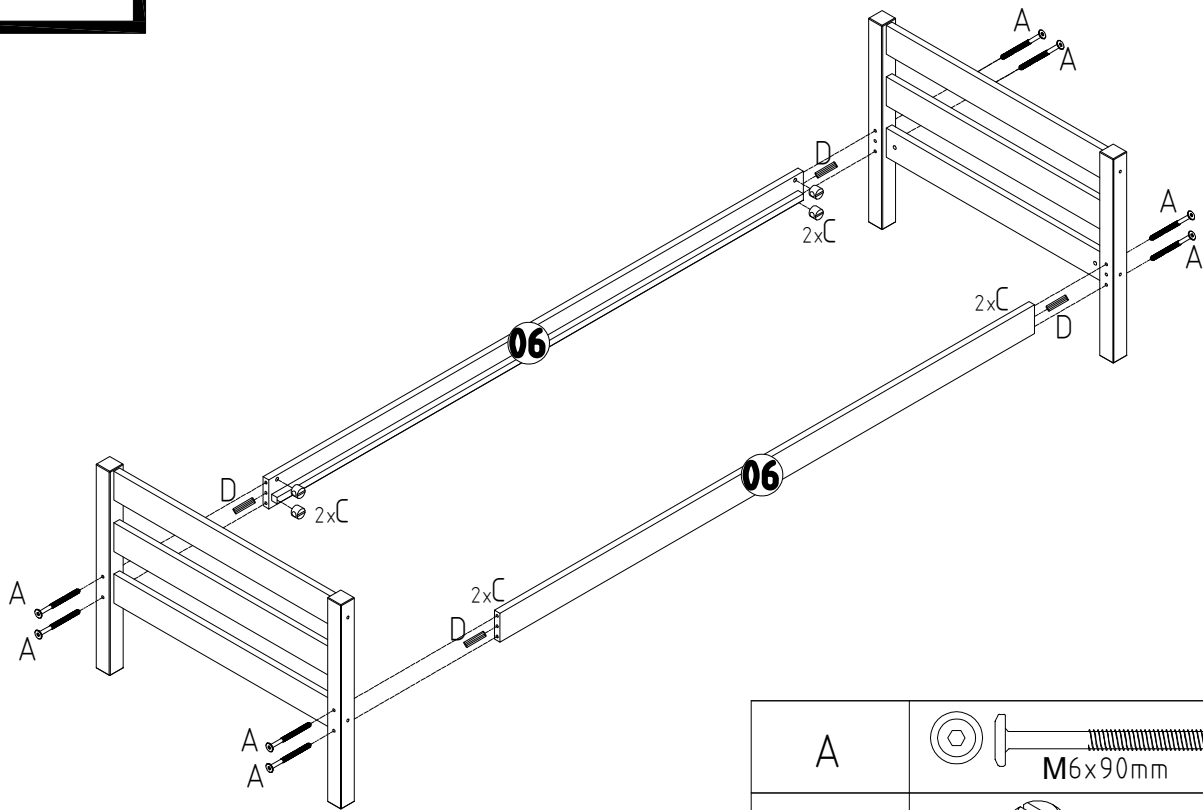
# Step 2

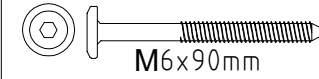

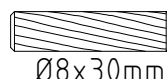


x2

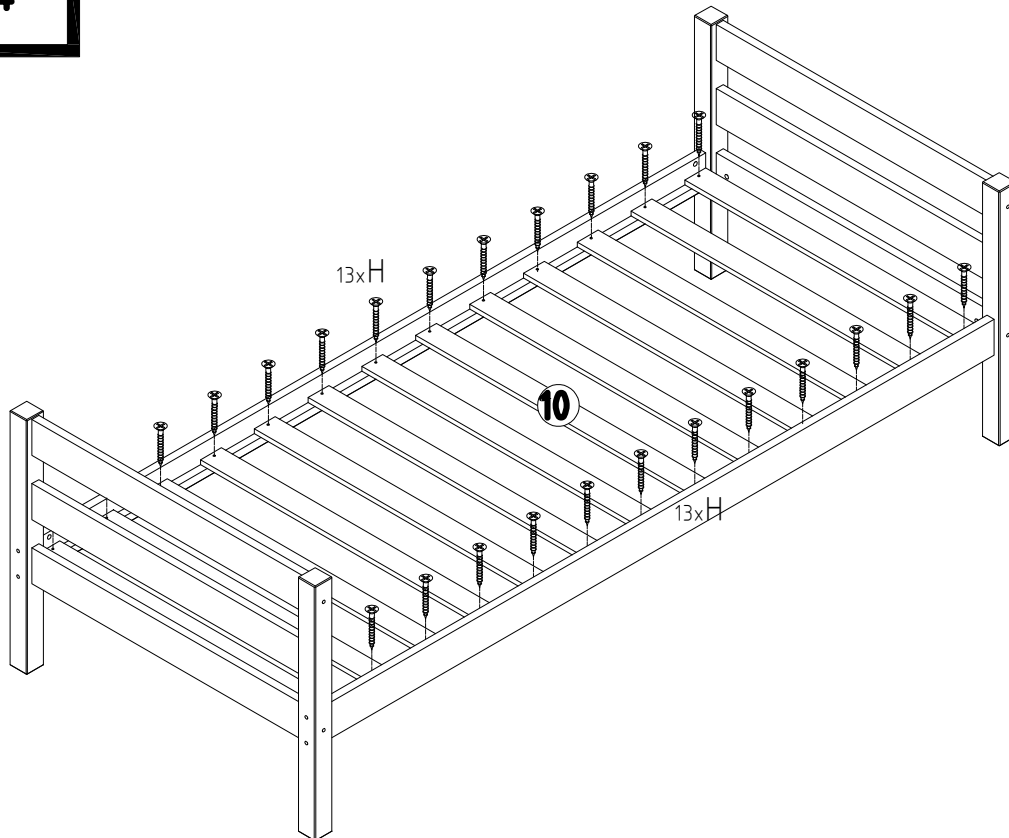
A	 M6x80mm	02
C	 M6x13mm	02
E	 Ø6x90mm	02

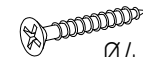
# Step 3



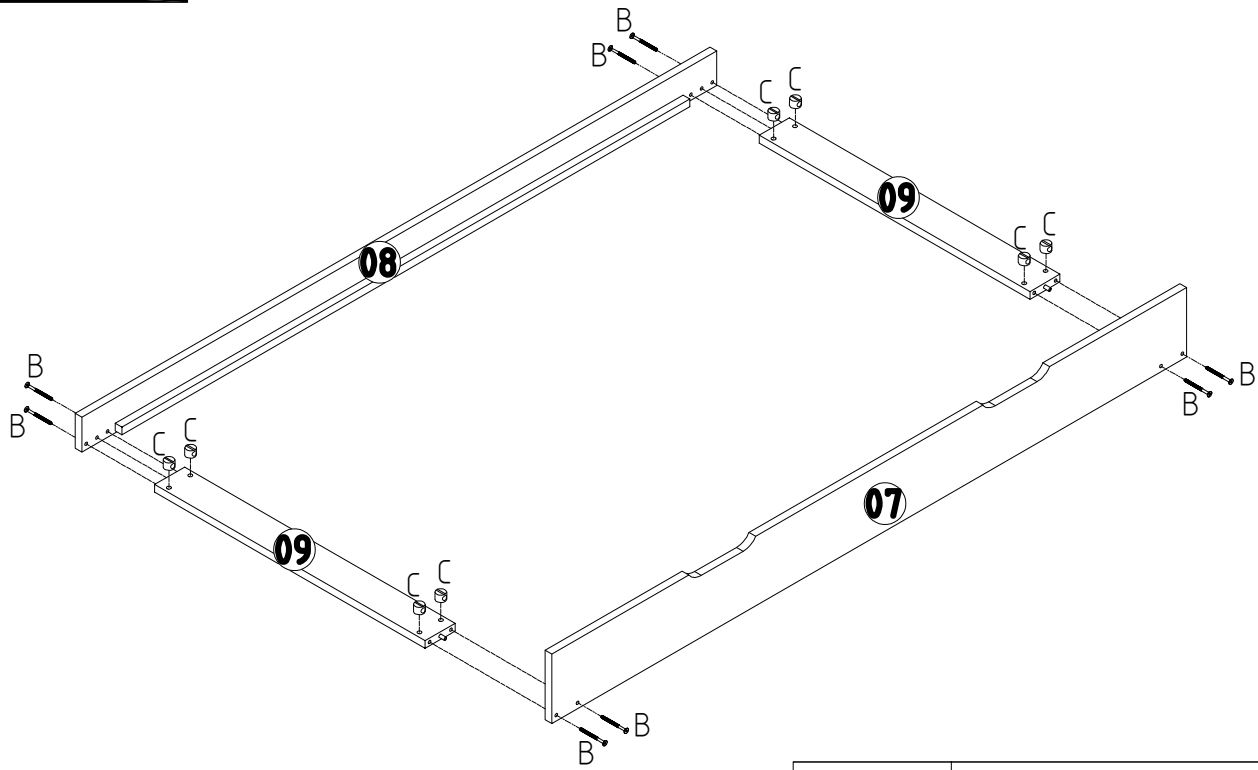
A	 M6x90mm	08
C	 M6x13mm	08
D	 Ø8x30mm	04

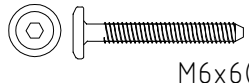

# Step 4



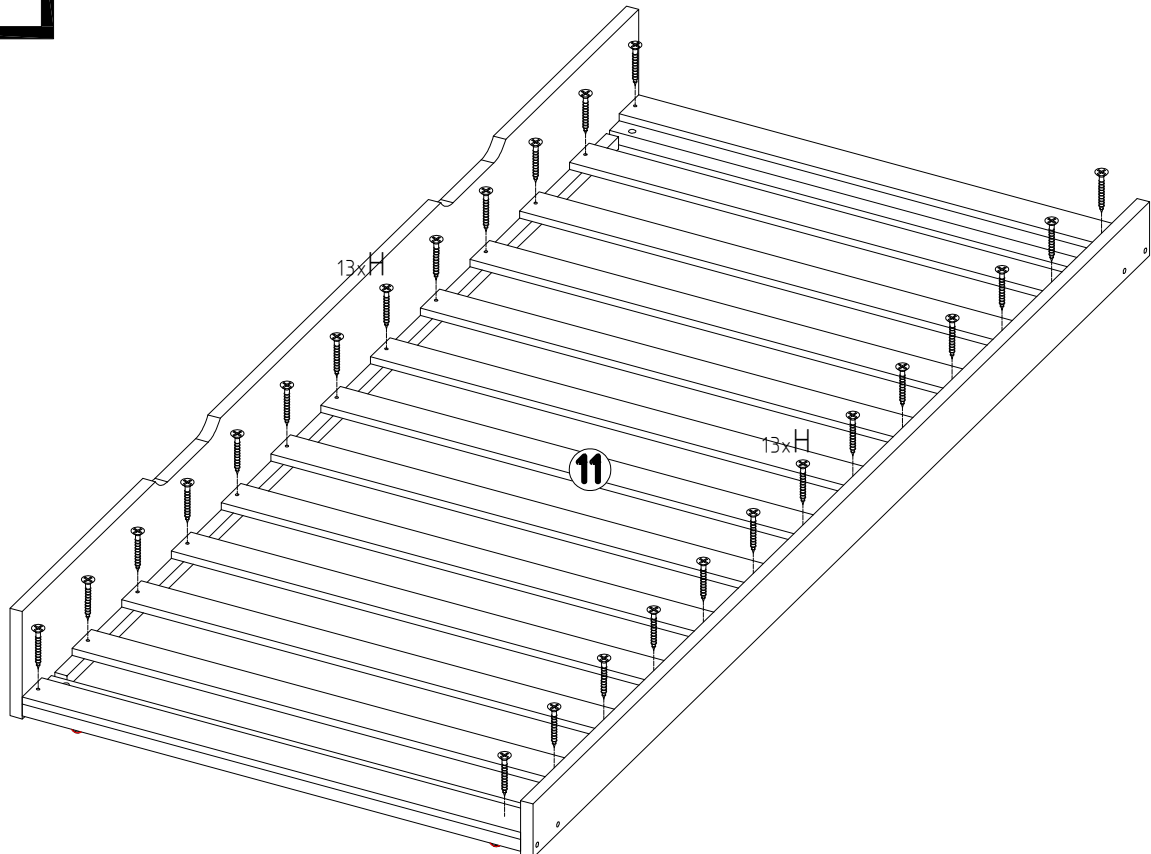
H	 Ø4x30mm	08
---	---	----


## Step 5



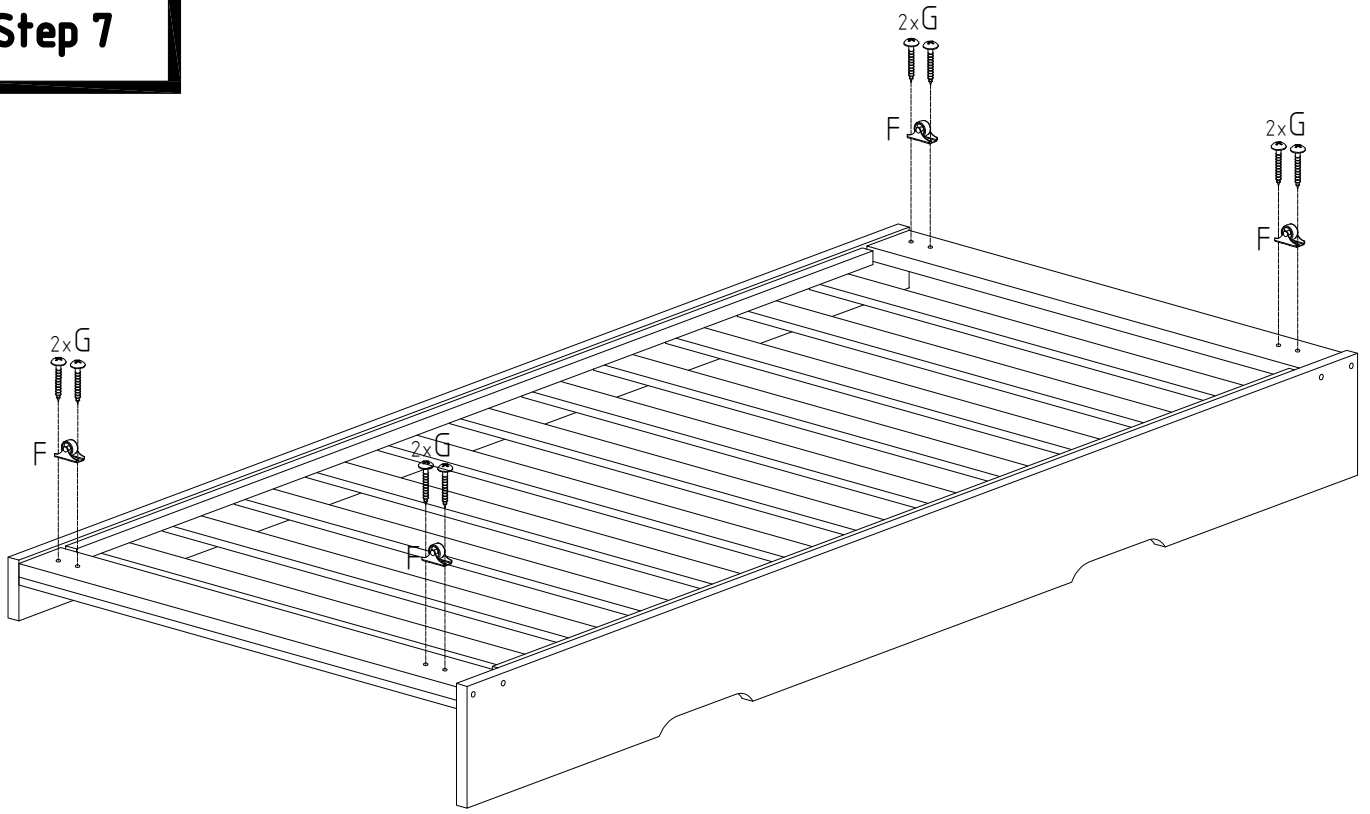
B	 M6x60mm	08
C	 M6x13mm	20



## Step 6



H	 Ø4x30mm	08
---	---	----

# Step 7



F	 D26mm	04
G	 $\phi 3.5 \times 16 \text{mm}$	08

