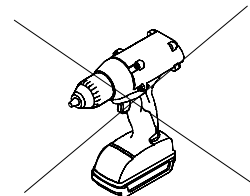
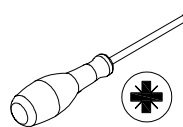
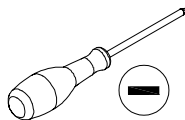
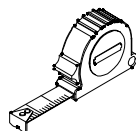
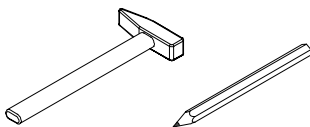
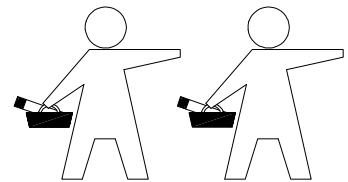
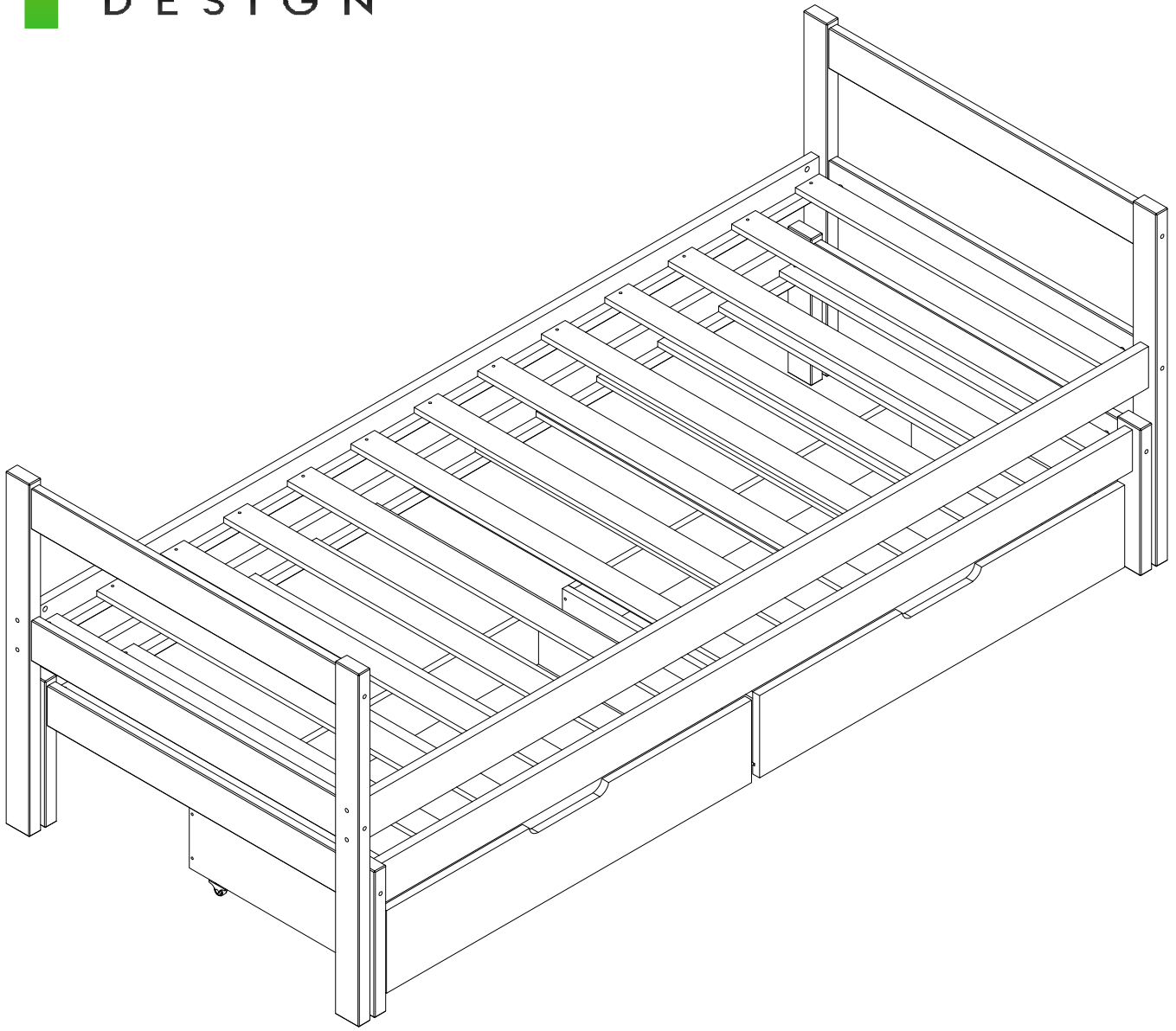
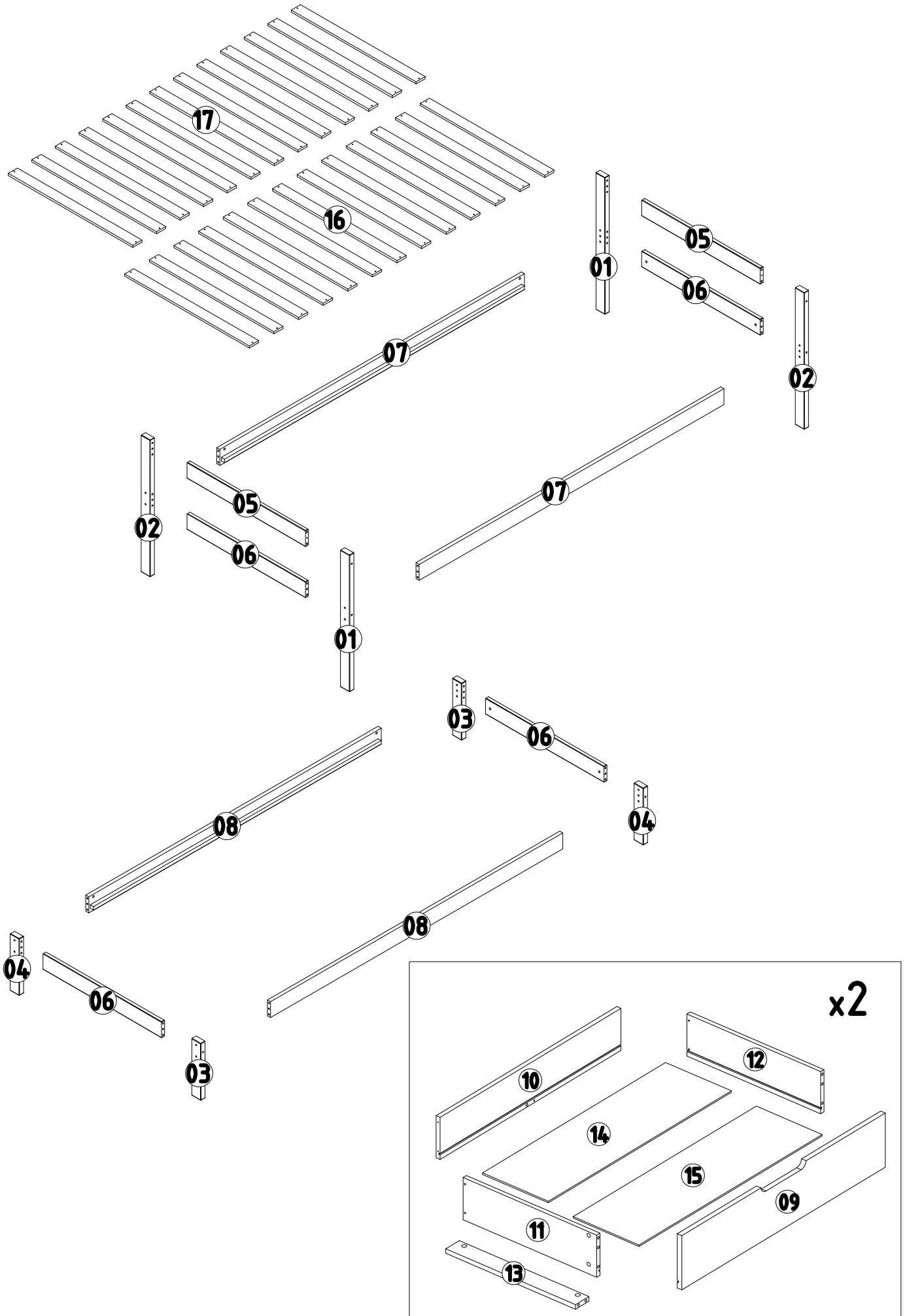


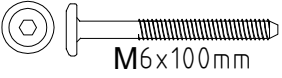
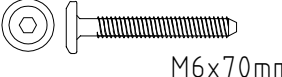

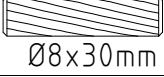
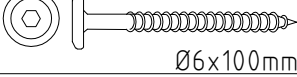
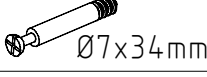
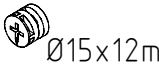
Assembly Instruction



Parts List

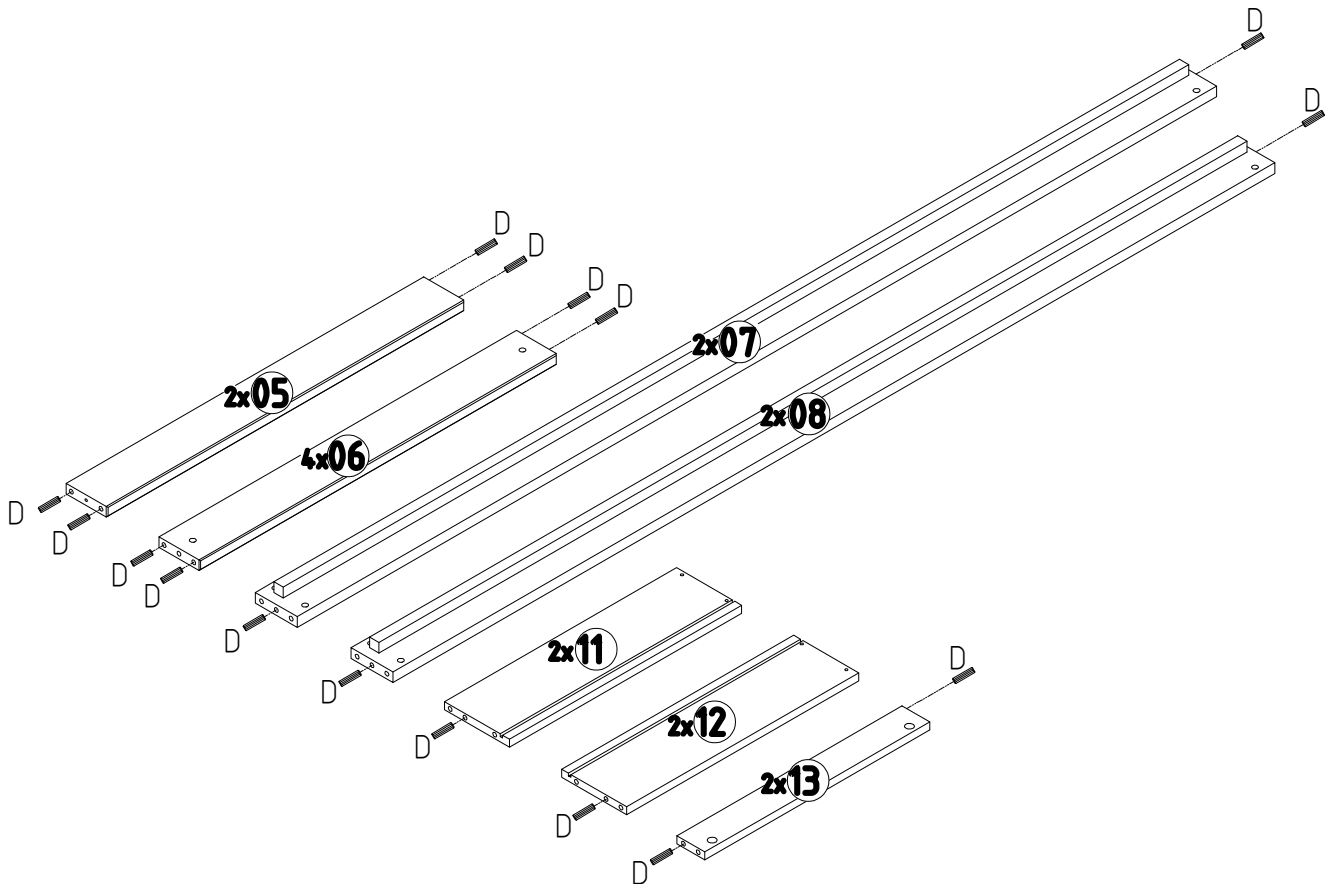


Hardware List

A	 M6x100mm	08
B	 M6x70mm	16
C	 M6x13mm	24
D	 Ø8x30mm	36
E	 Ø6x100mm	04
F	 Ø7x34mm	12
G	 Ø15x12mm	12

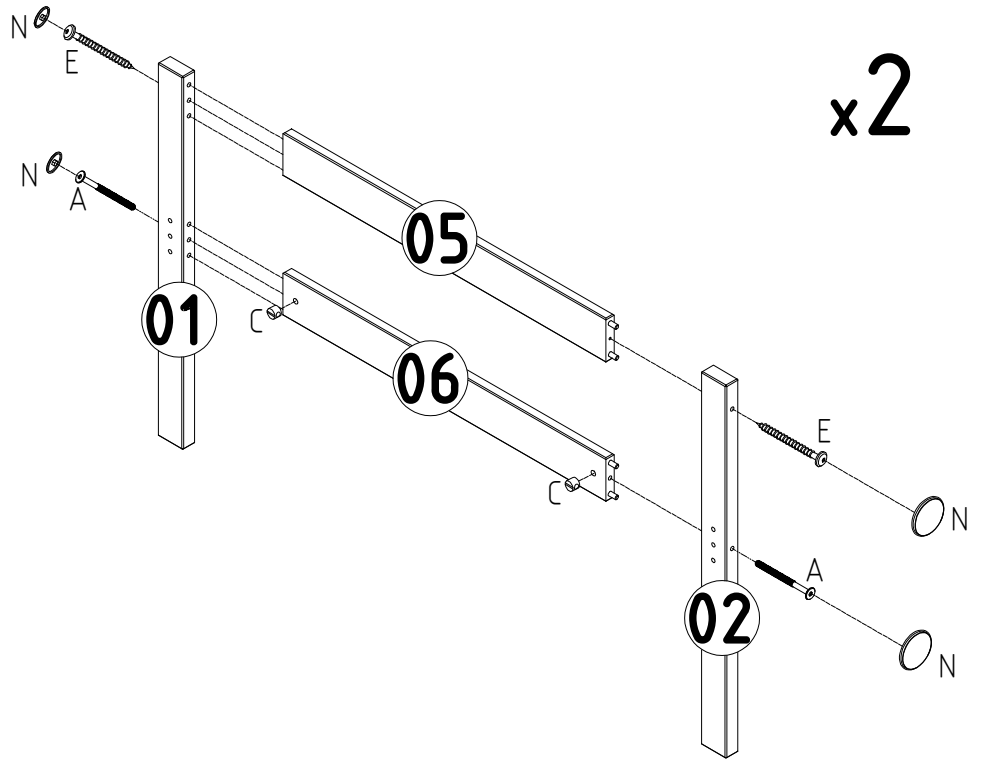
H	 847mm	02
J	 D26mm	08
K	 Ø3.5x16mm	16
L	 Ø4x30mm	60
M	 Ø4	04
N	 Ø15	28



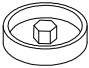

Step 1



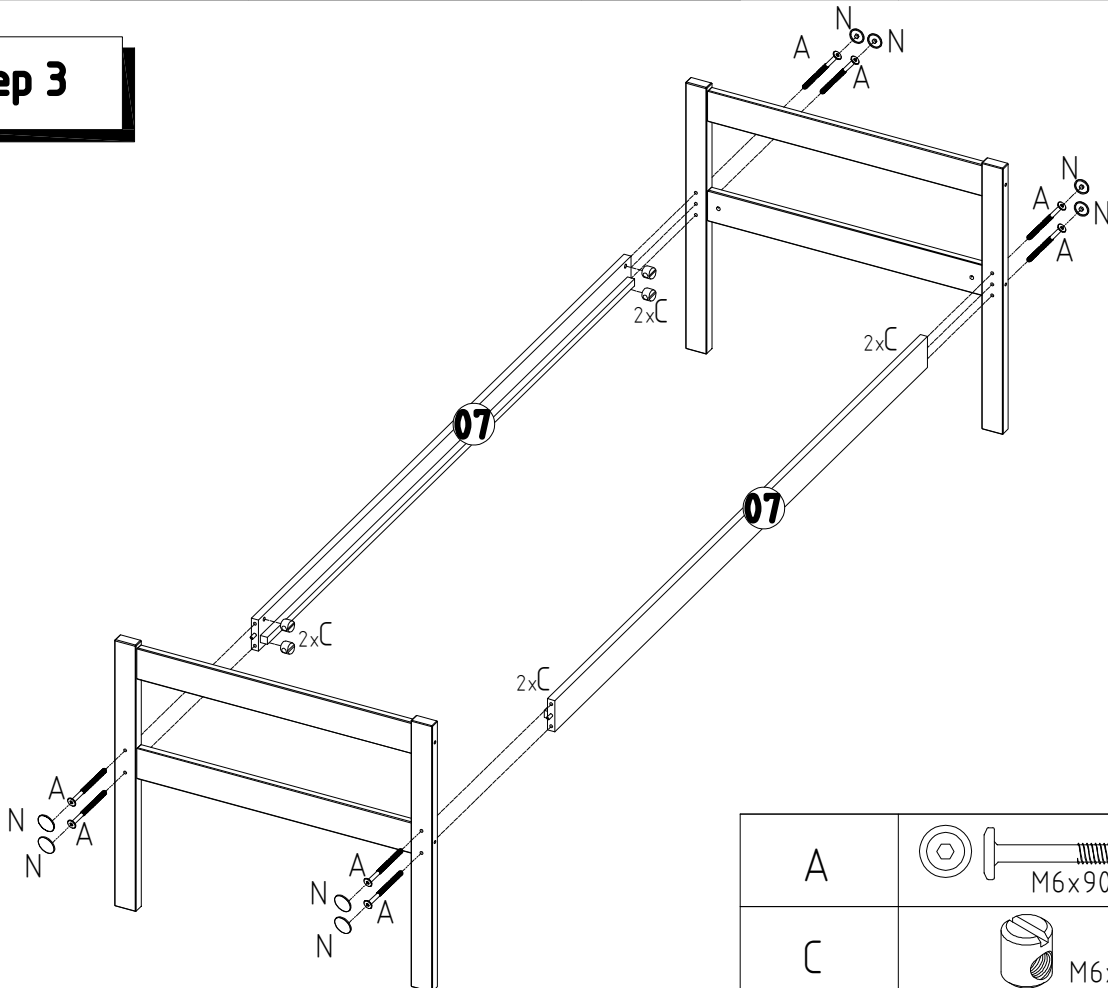
D	 Ø8x30mm	36
---	---	----



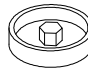
Step 2



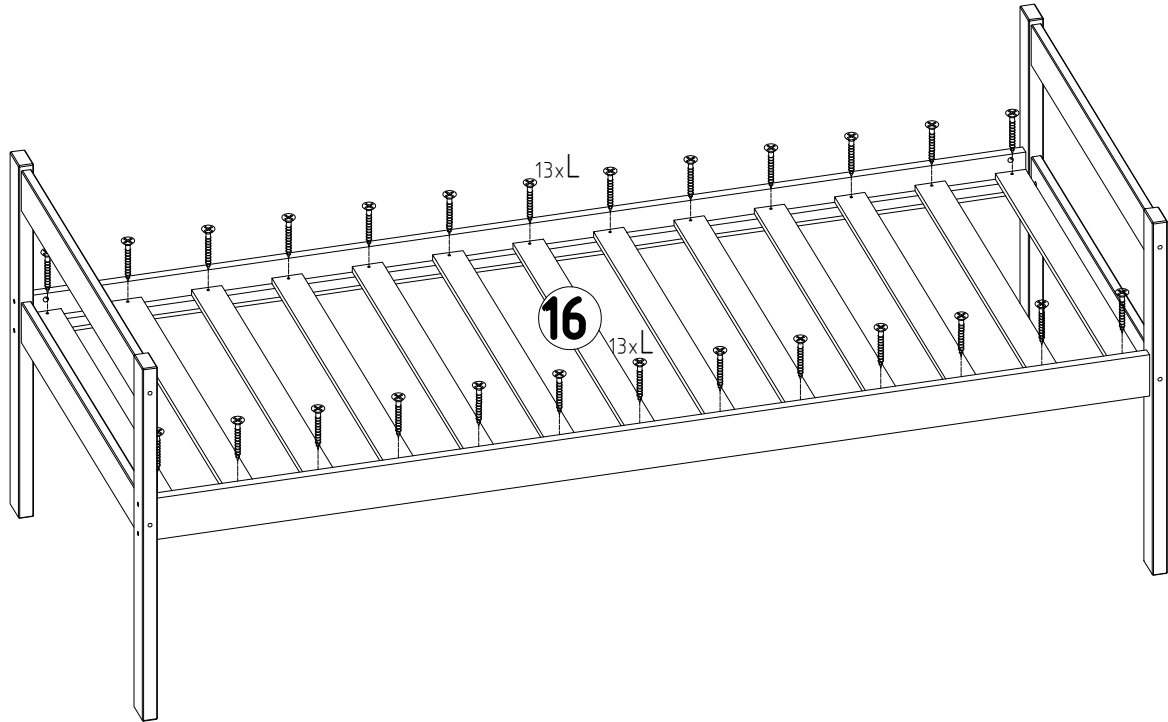
			A	 M6x100mm	04
			C	 M6x13mm	04
N	 Ø15	08	E	 Ø6x100mm	04


Step 3



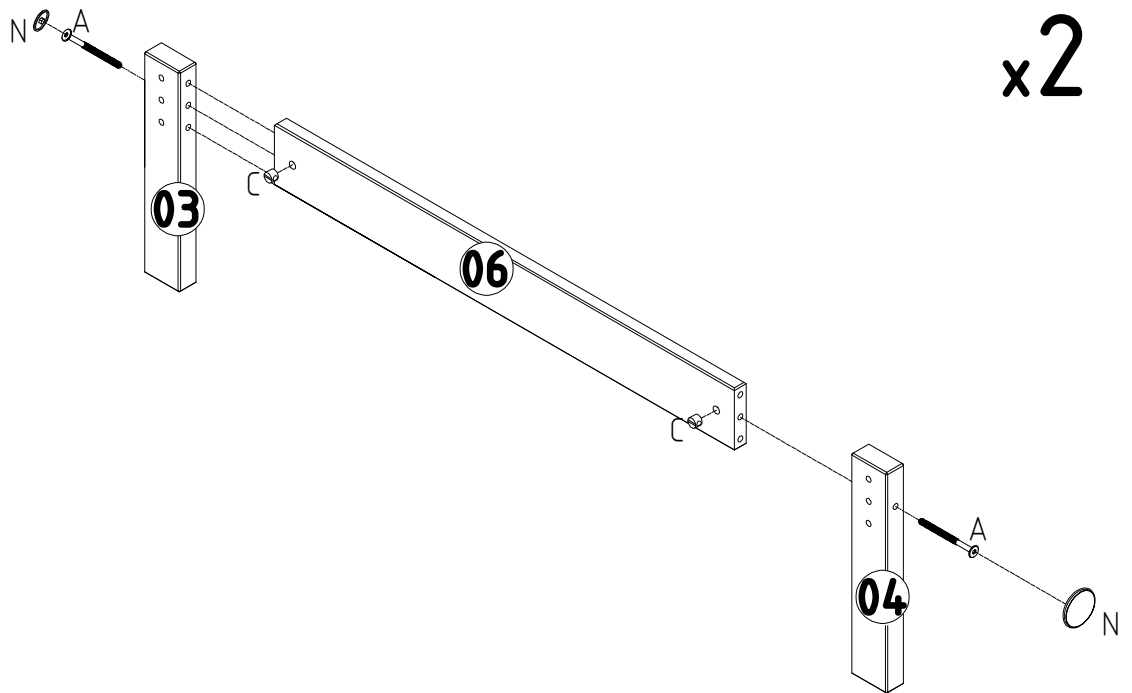
			A	 M6x90mm	08
			C	 M6x13mm	08
N	 Ø15	08			



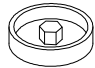
Step 4



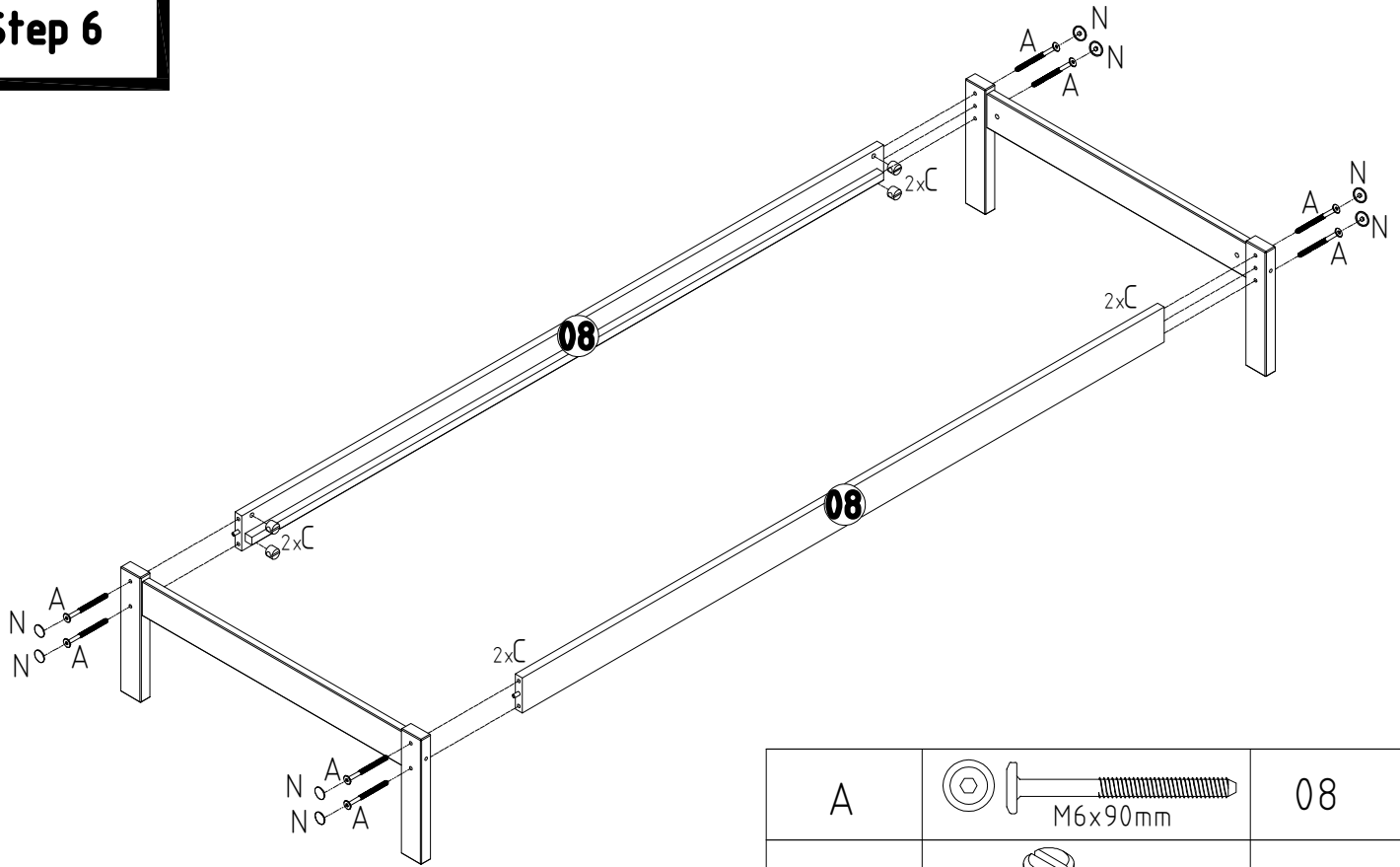
L	 Ø4x30mm	26
---	---	----

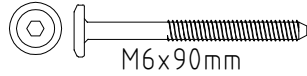

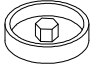
Step 5



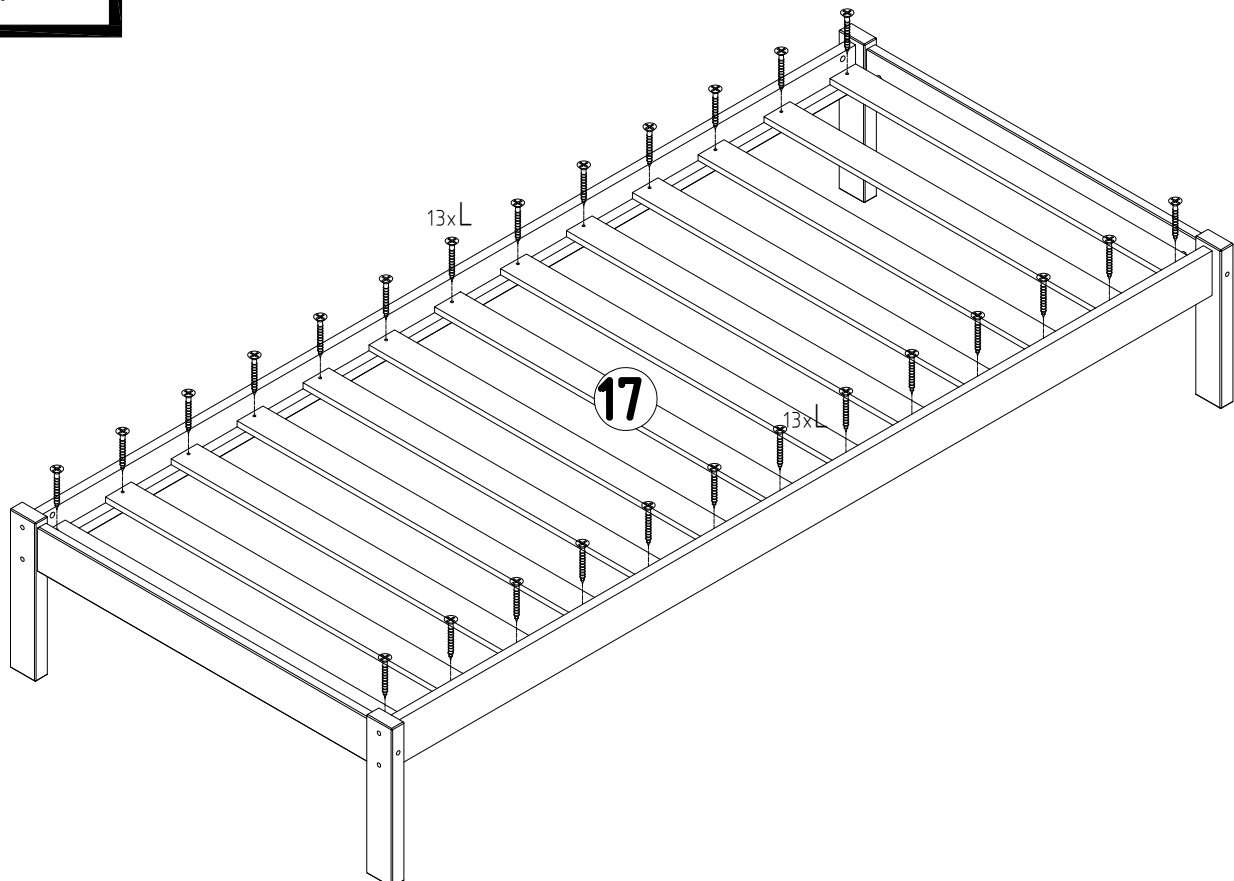
A	 M6x90mm	04
C	 M6x13mm	04
N	 Ø15	04

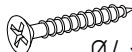
Step 6



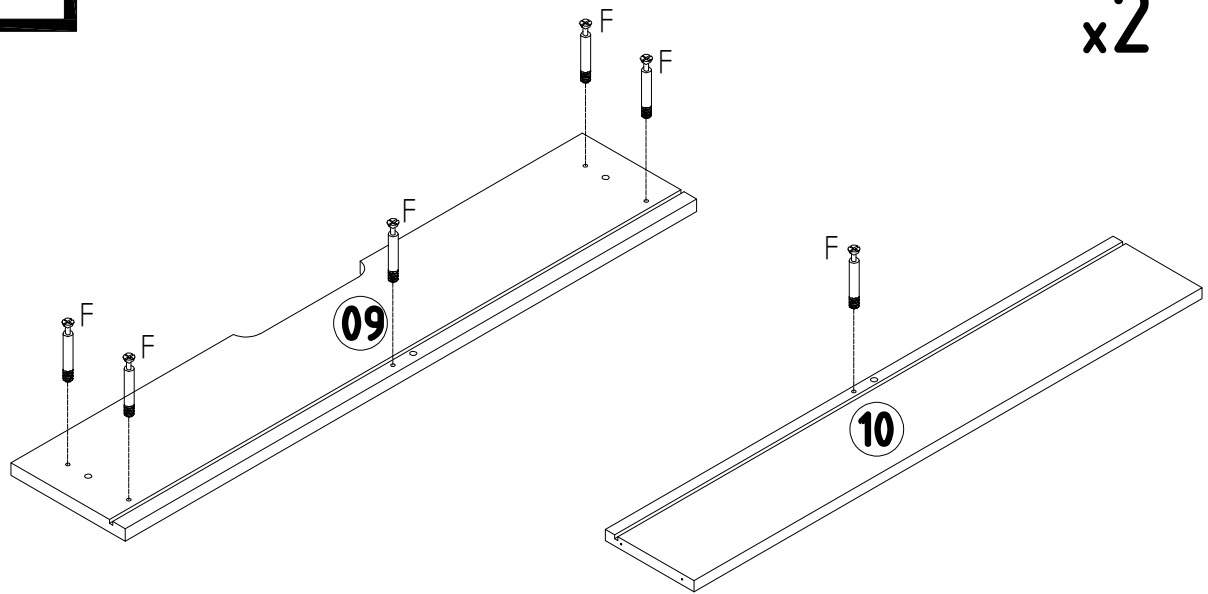
A	 M6x90mm	08
C	 M6x13mm	08
N	 Ø15	08

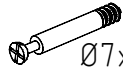
Step 7



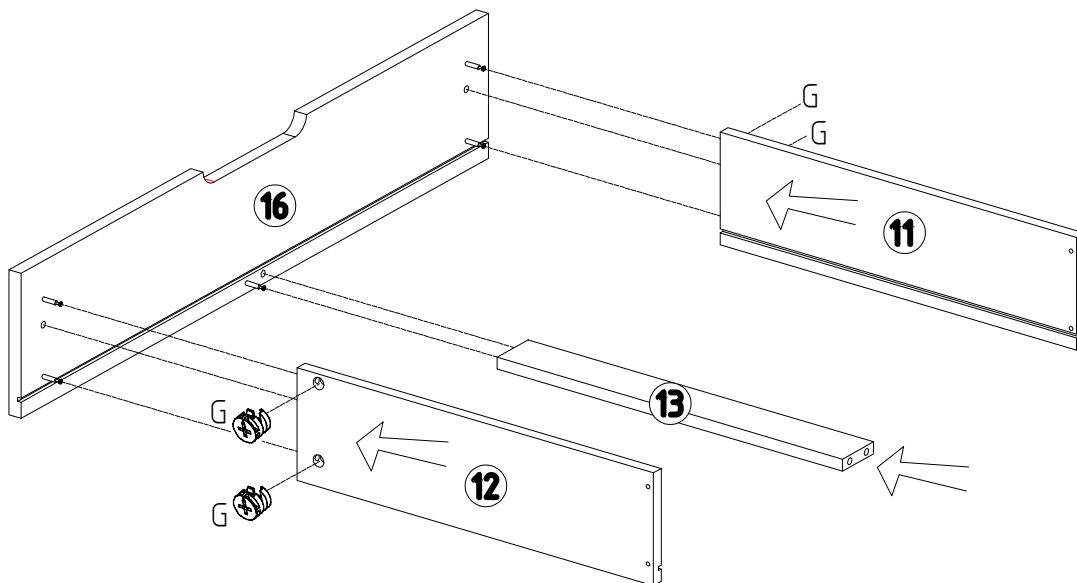
L	 Ø4x30mm	26
---	---	----


Step 8



F	 Ø7x34mm	12
---	---	----

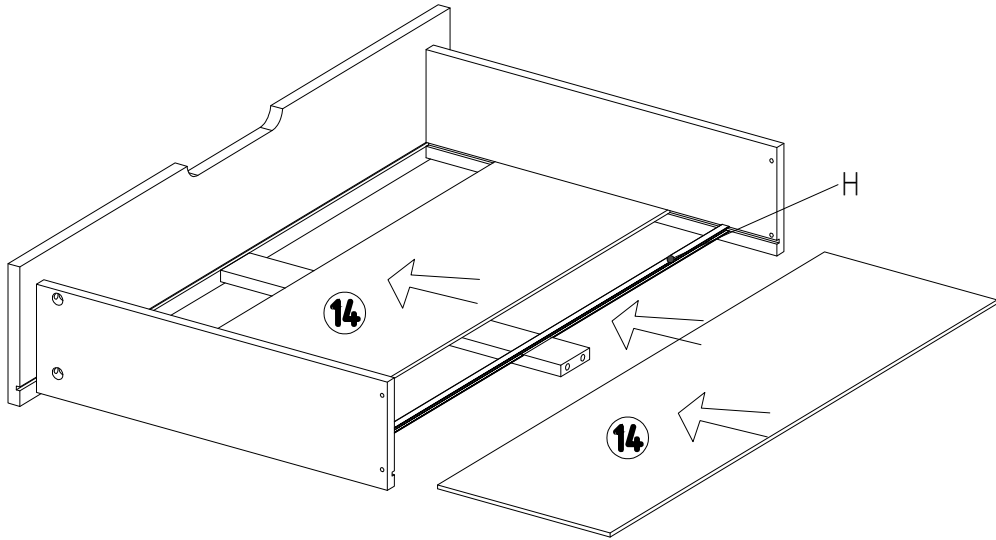
Step 9




G	 Ø15x12mm	08
---	--	----

Step 10

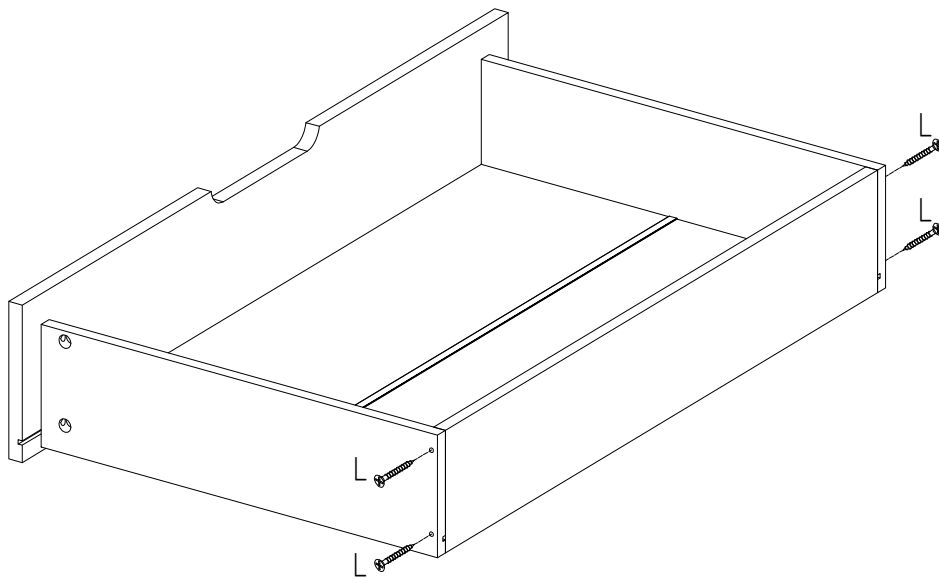
x2




H		847mm	02
---	---	-------	----

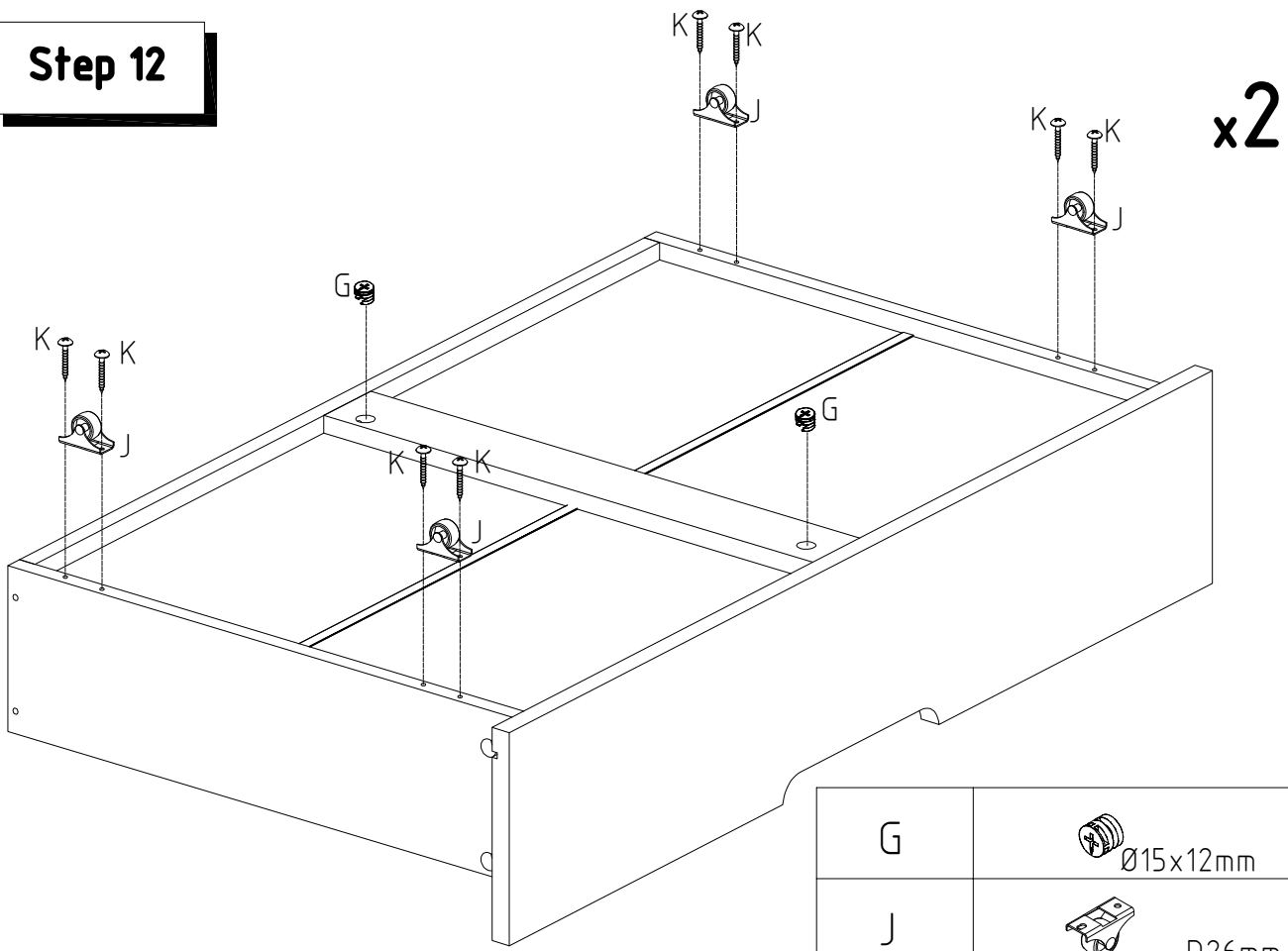
Step 11




x2



L		Ø4x30mm	08
---	---	---------	----

Step 12



G	 Ø15x12mm	04
J	 D26mm	08
K	 Ø3.5x16mm	16

